



东莞市兴东电子有限公司

DONGGUAN XINGDONG ELECTRONICS CO.,LTD

Professional DC/AC/EC Fan Manufacturer



- ISO9001/ISO14001认证企业
- UL/CUL/CE/RoHS/TUV认证

公司简介

“东莞市兴东电子有限公司”（以下简称“兴东”）是国内一家专业研发和生产散热风扇的现代化制造型企业。其前身是“深圳市兴东宇电子有限公司”，公司创立于2006年，专业研发、制造、销售直流/交流/EC风扇、横流风机、鼓风机和马达，月产能达120万台。产品主要用于设备的通风散热，涉及的领域有电脑、电源、家电、汽车、安防、通讯、医疗、工控、电力、印刷、军工、电焊机，仪器仪表等。

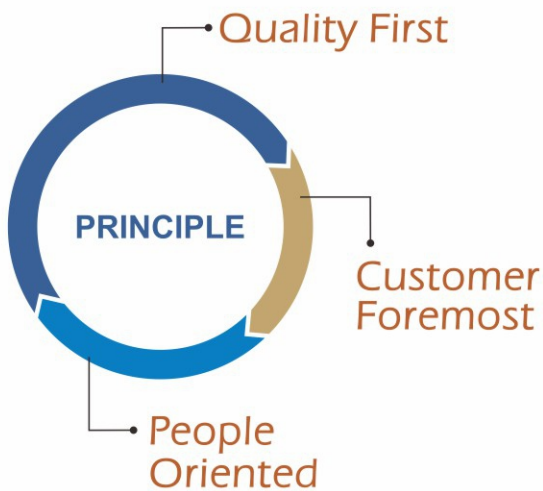
兴东拥有两个注册商标：“D-FAN”和“DOSENSE”。“D-FAN”商标用于风扇系列，“DOSENSE”商标用于马达系列。

“性价比高”是兴东产品的特色，也是客户认可本公司的主要原因。凭借严格的管理和近二十年的研制经验，“D-FAN”风扇以其风量大、噪音小、寿命长、稳定性好而著称，并可依客户之要求生产具有自

动启动、测速、报警、PWM调速、防尘防水等不同功能的产品。

兴东拥有一支经验丰富、技术精湛的研发队伍，可快速为广大客户提供散热解决方案，优化散热系统。公司严格按ISO-9001质量管理体系及ISO14001环境管理体系要求进行作业，创建全面、高效的品质系统以满足客户的需求，促进企业健康、稳步、长期的发展。同时公司产品通过了CE、TUV、UL等安全认证，生产的产品符合RoHS的要求，以保证客户购买到满意的、“高性价比”的产品。

兴东秉承“客户至上、品质第一、以人为本”的理念。兴东人将踏踏实实地向前迈好每一步，兼顾客户、供应商、员工、公司等各方之利益，以期共同发展、共同进步。欢迎海内外各界朋友前来洽谈、合作，携手共创美好明天。



Company Profile

We, Dongguan Xingdong Electronics Co., Ltd., is a modernized manufacturing enterprise, whose founder possesses professional expertise in R&D and manufacture of cooling fans for more than 20 years. We are specialized in DC/AC/EC Axial fan, Cross Flow fan, Blower and Motor. Monthly capacity reaches up to 1.2 million pieces. Our fans are mainly used for the applications, which have to ventilate or dissipate the heat generated, in the categories of computer, power, home appliance, car, security, communication, medical, industrial control, electric power, printing, war industry, electric welding machine, instrument panel,....etc.

Xingdong has two registered trademark, "D-FAN" and "DOSENSE". "D-FAN" is for fan products, "DOSENSE" is for motor products. Our fans with High Cost Effective are recognized by our current customers. And depending on strict quality control, "D-FAN" wins a great reputation

for "large air flow, lower noise, long lifetime and good stability". Our fans satisfy customized need for various functions of Auto-start , FG, RD, PWM , Dustproof , Waterproof product,...., etc. In addition, we provide with optimized cooling solutions and system for our customers.

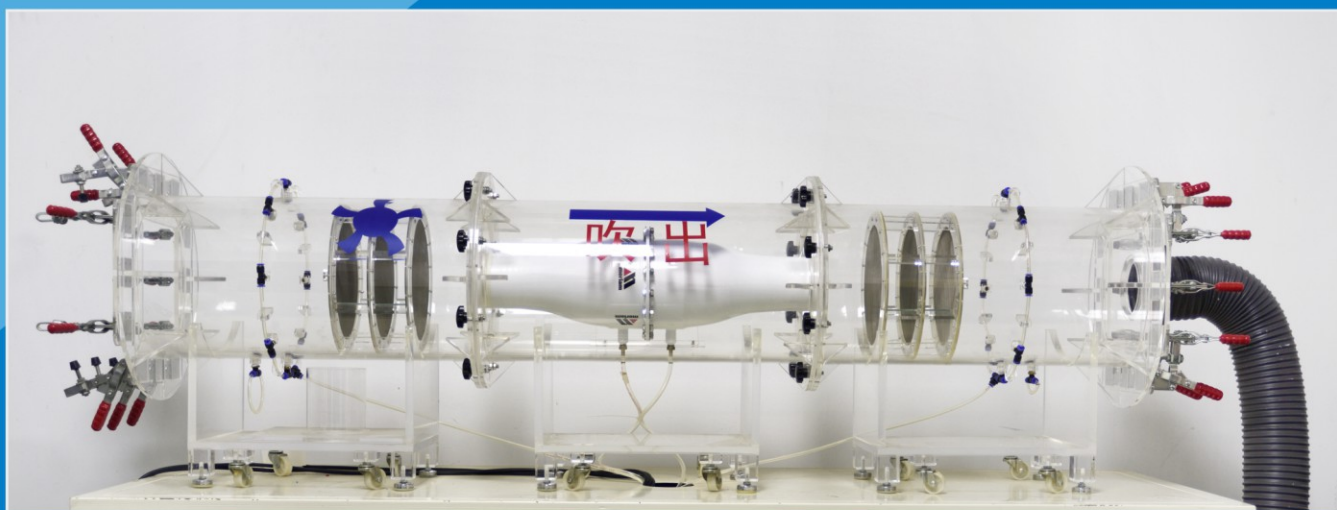
We strictly obey ISO-9001 and ISO-14001 which ensure our quality guarantee to customers. Besides, our fans are acquired safety certification of CE, TUV and UL. Meanwhile all fans meet RoHS standard. And we always adhere to the principle of " Customer foremost, Quality first, People-oriented " and focus on the partnership and joint interests of customers with the view of joint development and progress.

Warmly welcome the friends both in China and abroad to visit our factory and have a cooperation. Let's get together and create a prosperous future.



Testing Machines

检验设备



风洞测试仪 Pneumatic Testing Instrument



无响室 Anechoic Chamber



环保分析仪 RoHS Analysis Machine



防尘试验机
Dustproof Testing Chamber



可程式恒温恒湿试验箱
Programmable Constant Temperature
and Humidity Testing Chamber



盐雾试验机
Salt Spray Tester



包装箱双翼跌落试验机
Dropping Tester

Manufacturing

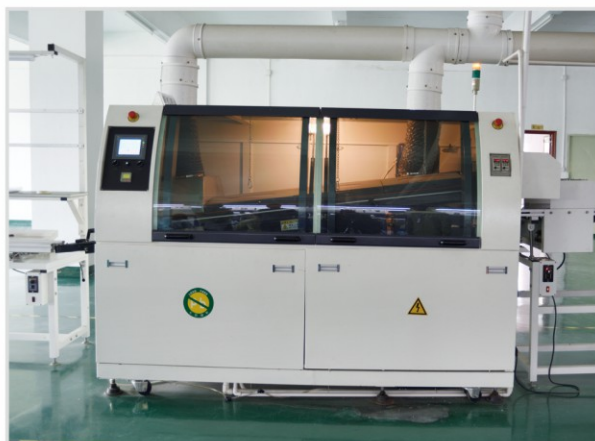
生产车间及设备



充磁 (Magnetizing)



多工位自动绕线机 (Auto-Winding Machine)



波峰焊 (Wave-Soldering Machine)



自动组装机 (Auto-Assembling Machine)



生产线 (Production Line) (1)



生产线 (Production Line) (2)

Sales Area

销售区域

Headquarter

总部

- ▲ 东莞 (Dongguan)

Branch

分支

- ▲ 东莞 (Dongguan)
- 广州 (Guangzhou)
- 韩国 (South Korea)
- 台湾 (Taiwan)

Exportation

外销

香港、韩国、日本、
东南亚 (越南、菲律宾、马来西亚)
北美 (包括美国、加拿大)
欧洲 (主要是英法德)
南非

HK, South Korea, Japan
Southeast Asia (Vietnam, Philippines, Malaysia)
North America (USA, Canada)
Europe (England, France, Germany)



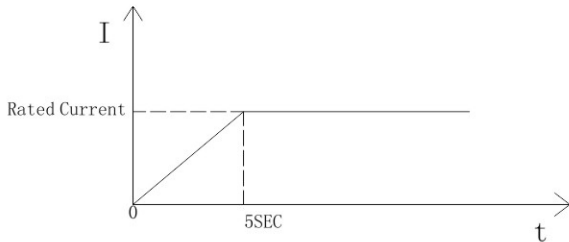
风扇功能 Function

1. 软启动功能 (Soft-start)

当为风扇供电时，电流为零开始逐渐增加，直到风扇达到最大转速和额定电流。启动的最大电流等于自由运行电流（或者少数情况下，转子锁定再启动）。风扇将在5~10秒内达到额定转速。

When power on the fan, the current is zero then begins to increase until reaching the maximum speed and rated current. The operating maximum current is equal to the freely running current(or in rare cases, rotor is stalled and then restart). The fan will reach the rated speed within 5~10 seconds.

Soft Start

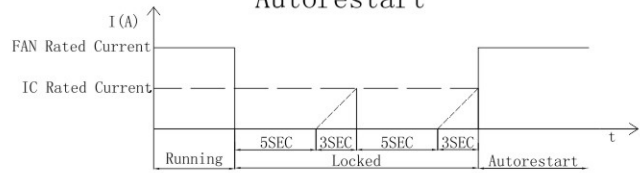


2. 自动启动功能 (Auto-start)

自动启动功能保证风扇马达将自动重新启动，以防扇叶被阻塞。当转子被锁住，风扇的电流将会降低到零，且风扇隔5秒后重新启动。

Auto-start function will guarantee that the fan's auto-restart prevents from the blades being stalled. When rotor is stalled, the fan's current will low down to zero and then fan will restart after five seconds.

Autorestart

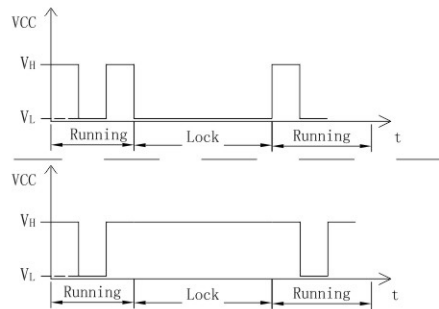
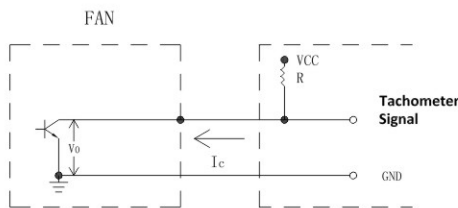


3. FG功能 (Tachometer Signal)

集电极开路输出，连接到一个“上拉电阻”和设备的输入电源电压，输出提供一个方波信号，给系统提供风扇的转速。最大集电极电流 10 mA。设备的电源必须要与风扇接相同的地电位。

The open collector will provide a square signal to drive the speed when it is connected a “pull-up” resistor and is powered by a voltage which is compatible with the input of the reading device. The maximum collector's voltage is up to 72 VDC and the maximum collector's current is 10 mA. The power supply must have the same ground potential as the fan.

Tachometer Signal



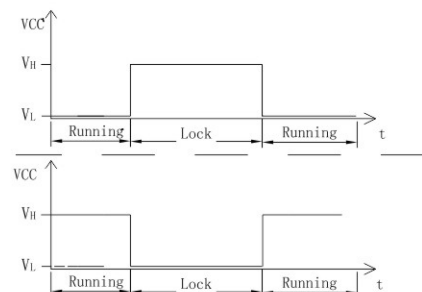
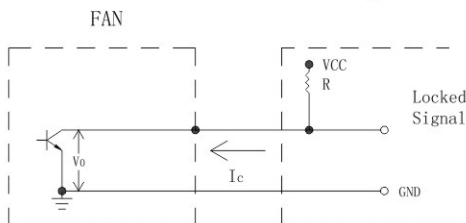
4. RD功能 (Locked Rotor Signal)

集电极开路输出，连接到一个“上拉电阻”和设备的输入电源电压，输出一个高电平或者低电平，给系统提供风扇是否运转正常。

- 1、风扇运转时信号引脚输出低电平，风扇堵住时输出高电平。
- 2、风扇运转时信号引脚输出高电平，风扇堵住时输出低电平。

This is an open collector function with the same hardware as the FG function. The output signal is Low electric level when fan rotates. And when fan stalls, output signal is High electric level.

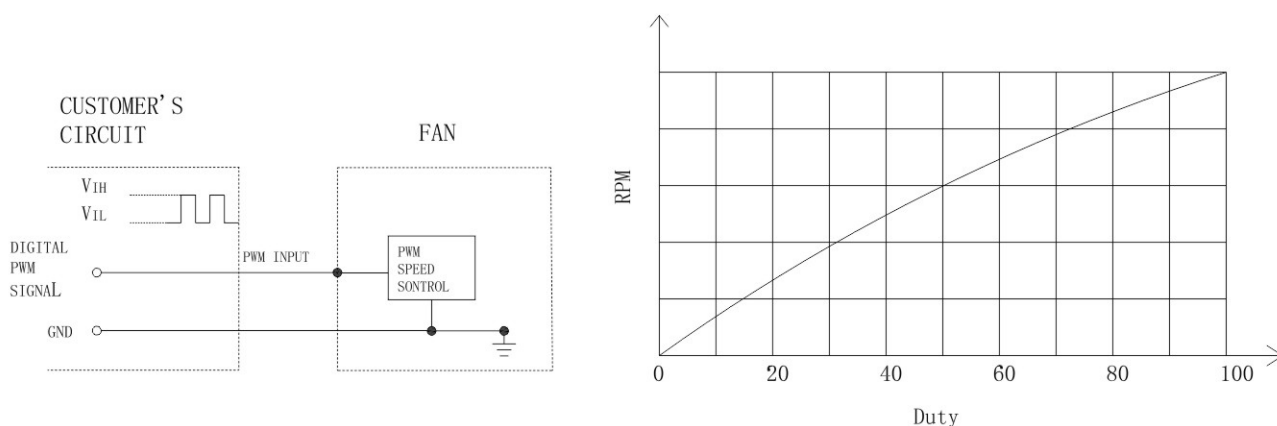
Tachometer Signal



5. PWM功能 (Pulse Width Modulation)

PWM功能可以使用频率和高压电平来控制风扇转速，在这种功能下，频率可从18K—30KHz调整，高电平电压范围可以从3V~10V调整，低电平范围 $\leq 0.8V$ 。风扇转速可通过调整“占空比”来线性控制风扇转速，直到风扇最大转速。CS(恒速)、SS(软启动功能)和CL(限流)功能都可包含在内。PWM功能示例图如下：

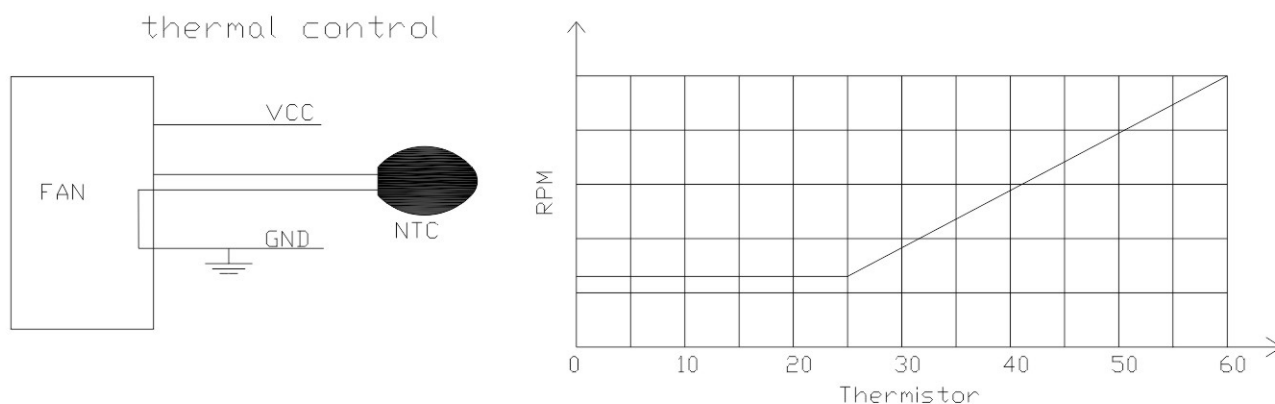
PWM function can use frequency and high-low electric level to control the fan's speed. Frequency can be adjusted from 18KHz to 30KHz, High electric level is from 3V to 10V and Low electric level is $\leq 0.8V$. The control of fan's speed can be done by linearly adjusting "duty cycle" to reach maximum speed. CS (Constant Speed)、SS (Soft Start function) and CL (Current Limit) are included. PWM function's graph is as below:



6. 温控功能 (Thermal Control)

当这种功能被应用时，风扇的转速受温度控制，不同的温度可对应不同的转速，CS(恒速)，SS(软启动功能)和CL(限流)功能都包含在内，主要是通过使用热敏电阻来达到这一目的。常见的制方式曲线图如下所示：

When this function is applied, the fan's speed is controlled by the temperature. Different temperature corresponds to different speed. CS (Constant Speed)、SS (Soft Start Function) and CL (Current Limited) are included. The principle is to utilize a thermal resistor to perform this function. The graph of common controlling way is as below:





Model Numbering System

产品编号原则

Ex: **D F H 8015 B X**

① ② ③ ④ ⑤ ⑥

① **D** 公司代码: “D”
D-FAN品牌产品。
Company code: “D”
D-FAN brand products.

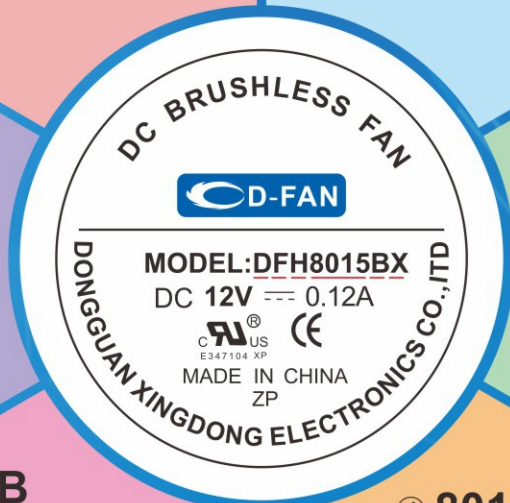
② **F**
风扇类别: “F” DC直流风扇/DC鼓风机
“A” AC交流风扇;
Fan category: “F” DC fan/DC blower;
“A” AC fan;

③ **H**
转速类别: “L” 低转速;
“M” 中转速;
“H” 高转速;
“D” 超高转速。
Speed: “L” Low speed; “M” Middle speed;
“H” High speed;
“D” Super high speed.

⑥ **X**
横流风扇马达方向:
A: 右边马达;
B: 左马达
Cross flow fan motor direction:
A: Right motor;
B: Left motor

⑤ **B**
轴承类别: “S” 含油轴承; “B” 双滚珠轴承; “C” 单滚珠轴承。
Bearing type: “S” Sleeve bearing;
“B” Dual ball bearing;
“C” One ball bearing & one sleeve bearing.

④ **8015**
尺寸规格: 方框前二位表示风扇宽度, 后二位表示风扇厚度, 如: 2510表示25 × 25 × 10mm
3010表示30 × 30 × 10mm; 横流机种前二位表示叶轮直径, 后两位表示叶轮长度, 如: 0315表示Φ30 × 150mm。
Dimensions: For square frame, the first two numbers are for housing's width, the next two numbers are for housing's thickness, for example, 2510 means 25 × 25 × 10mm, 3010 means 30 × 30 × 10mm; For cross flow fan, the first two numbers are for diameter of impeller, the next two numbers are for the length of impeller, for example, 0315 means Φ30 × 150mm.



INDEX

目录

DC轴流风扇 DC Axial Fan

2006	1P
2010	2P
2507	3P
2510	4P
3006	5P
3010	6P
3510	7P
4007	8P
4010-A	9P
4010-B	10P
4015	11P
4020	12P
4028	13P
4510	14P
5010	15P
5015-A	16P
5015-B	17P
5020	18P
5025	19P
6010	20P
6015	21P
6020	22P
6025	23P
7010	24P
7015	25P
7025	26P
8010	27P
8015	28P
8020	29P
8025-A	30P
8025-B	31P
8038	32P
9225-A	33P
9225-B	34P
9238	35P
1225	36P
1232	37P
1238	38P
1425	39P
17051	40P
20060	41P

DC鼓风机 DC Blower

2006	42P
3507	43P
4008	44P
4020	45P
4506-A	46P
4506-B	47P
5008	48P
5010	49P
5015-A	50P
5015-B	51P
5020-A	52P
5020-B	53P
5025	54P
6006	55P
6008	56P
6015	57P
6020	58P
6025	59P
6028	60P
7515	61P
7525	62P
7530	63P
9330	64P
9733	65P
1232	66P
1615	67P

AC轴流风扇 AC Axial Fan

8025	68P
8038	69P
9225	70P
9238	71P
1225	72P
1238	73P
1738	74P
1751	75P
2260	76P

EC轴流风扇 EC Axial Fan

6025	77P
8025	78P
8038	79P
9225	80P
9238	81P
1238	82P

横流风扇 DC/AC Cross Flow Fan

25系列	83P
30系列	84P
40系列	85P
30系列	86P
40系列	87P
60系列	88P

支架风扇 Frameless Fan

3010	89P
4010	89P
5010	89P
6010	89P
8025	89P
8030涡轮	89P
9025	89P
1225	89P
1025B碟形	89P
12025涡轮	89P

网罩 Metal Fan Guard

40mm	90P
50mm	90P
60mm	90P
70mm	90P
80mm	90P
92mm	90P
120mm	90P
170mm	90P
200mm	90P

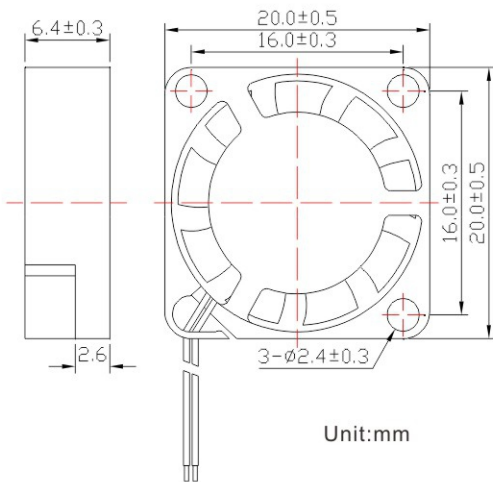
2006



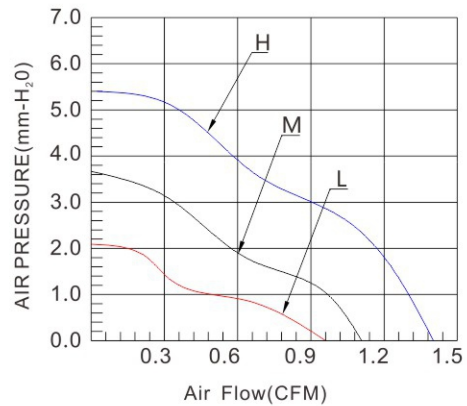
General Specifications (一般规格)

- ◆ Material:
Frame And Impeller: Thermal Plastic UL 94-0
- ◆ Lead Wires: UL Type
RED Wire Positive(+)
Black Wire Negative(-)
- ◆ Insulation Resistance: 10MΩ Or Over With a DC250V Megger
- ◆ Dielectric Withstand Voltage: AC500V 1S
- ◆ Allowable Ambient Temperature Range:
-10°C ~ +70°C (Operating)
-40°C ~ +70°C (Storage)

Dimensions Drawing (外观图)



Characteristic Curves (特性曲线)

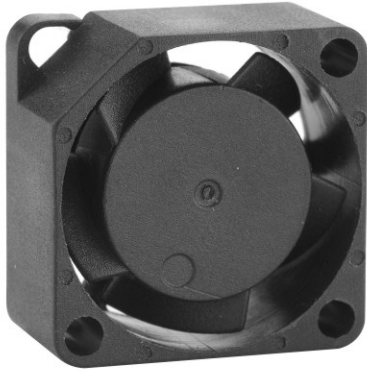


Specifications/规格

型号 Model	轴承类型 Bearing Type	电压 Rated Voltage	电压范围 Operation Voltage	电流 Current	转速 Speed	风量 Air Flow	风压 Static Pressure	噪音 Noise Level	重量 Weight
		VDC	VDC	A	RPM	CFM	mmH ₂ O	dBA	g
DFH2006S	Sleeve	5	4.5 ~ 5.5	0.22	15000	1.41	5.22	33.7	4
DFM2006S				0.17	12000	1.02	3.69	26.9	
DFL2006S				0.12	9000	0.77	2.02	20.3	

Notes: 1. The parameters listed above are for reference. 2. Individual specification will be according to approval sheet provided or customers requirement.

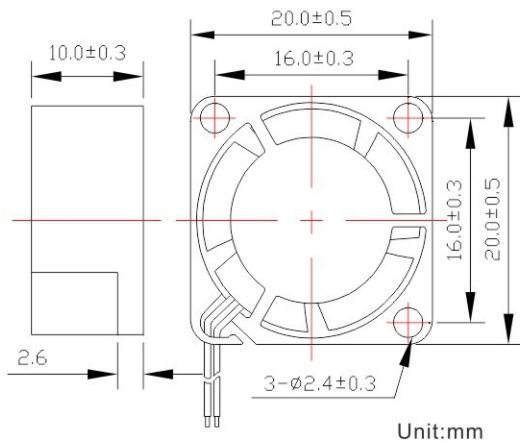
2010



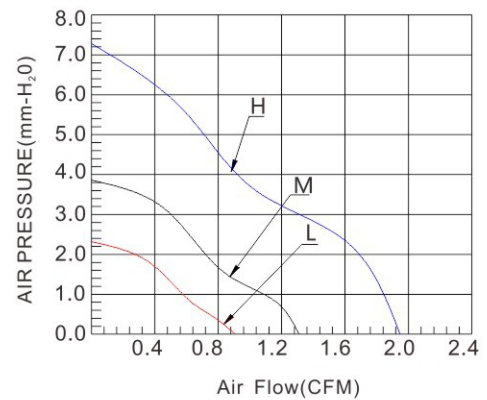
General Specifications (一般规格)

- ◆ Material:
Frame And Impeller: Thermal Plastic UL 94-0
- ◆ Lead Wires: UL Type
RED Wire Positive(+)
Black Wire Negative(-)
- ◆ Insulation Resistance: 10MΩ Or Over With a DC250V Megger
- ◆ Dielectric Withstand Voltage: AC500V 1S
- ◆ Allowable Ambient Temperature Range:
-10°C ~ +70°C(Operating)
-40°C ~ +70°C(Storage)

Dimensions Drawing(外观图)



Characteristic Curves (特性曲线)



Specifications/规格

型号 Model	轴承类型 Bearing Type	电压 Rated Voltage	电压范围 Operation Voltage	电流 Current	转速 Speed	风量 Air Flow	风压 Static Pressure	噪音 Noise Level	重量 Weight
		VDC	VDC	A	RPM	CFM	mmH ₂ O	dBA	g
DFH2010S	Sleeve	5	4.5~5.5	0.20	18000	1.89	7.23	37.3	5.5
DFM2010S				0.15	12000	1.27	3.93	27.1	
DFL2010S				0.10	9000	0.85	2.32	20.6	
DFH2010S		12	10.8~13.2	0.15	18000	1.89	7.23	37.3	
DFM2010S				0.10	12000	1.27	3.93	27.1	
DFL2010S				0.07	9000	0.85	2.32	20.6	

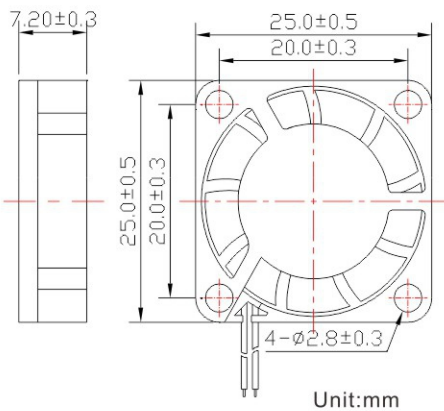
2507



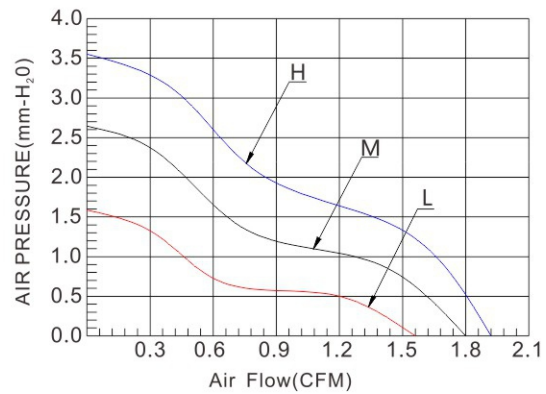
General Specifications (一般规格)

- ◆ Material:
Frame And Impeller: Thermal Plastic UL 94-0
- ◆ Lead Wires: UL Type
RED Wire Positive(+)
Black Wire Negative(-)
- ◆ Insulation Resistance: 10MΩ Or Over With a DC250V Megger
- ◆ Dielectric Withstand Voltage: AC500V 1S
- ◆ Allowable Ambient Temperature Range:
-10°C ~ +70°C (Operating)
-40°C ~ +70°C (Storage)

Dimensions Drawing (外观图)



Characteristic Curves (特性曲线)



Specifications/规格

型号 Model	轴承类型 Bearing Type	电压 Rated Voltage	电压范围 Operation Voltage	电流 Current	转速 Speed	风量 Air Flow	风压 Static Pressure	噪音 Noise Level	重量 Weight
		VDC	VDC	A	RPM	CFM	mmH ₂ O	dBA	g
DFH2507S	Sleeve	5	4.5 ~ 5.5	0.20	10000	1.92	3.55	22.5	6
DFM2507S				0.16	9000	1.80	2.64	20.6	
DFL2507S				0.14	8000	1.60	1.58	20.1	
DFH2507S		12	10.8 ~ 13.2	0.15	10000	1.92	3.55	22.5	
DFM2507S				0.12	9000	1.80	2.64	20.6	
DFL2507S				0.09	8000	1.60	1.58	20.1	

Notes: 1. The parameters listed above are for reference. 2. Individual specification will be according to approval sheet provided or customers requirement.

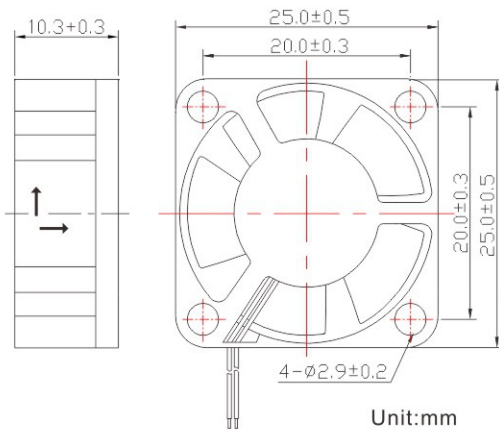
2510



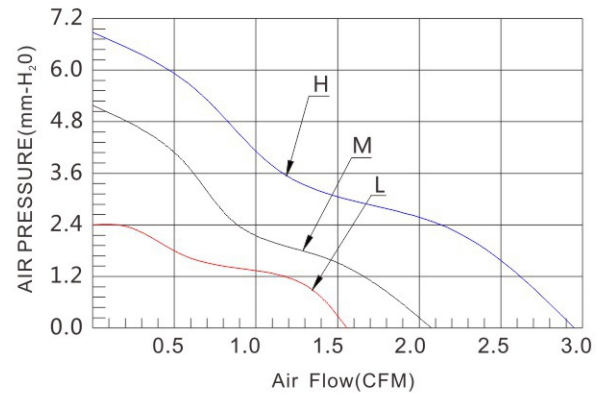
General Specifications (一般规格)

- ◆ Material:
Frame And Impeller: Thermal Plastic UL 94-0
- ◆ Lead Wires: UL Type
RED Wire Positive(+)
Black Wire Negative(-)
- ◆ Insulation Resistance: 10MΩ Or Over With a DC250V Megger
- ◆ Dielectric Withstand Voltage: AC500V 1S
- ◆ Allowable Ambient Temperature Range:
-10°C ~ +70°C(Operating)
-40°C ~ +70°C(Storage)

Dimensions Drawing(外观图)



Characteristic Curves (特性曲线)



Specifications/规格

型号 Model	轴承类型 Bearing Type	电压 Rated Voltage	电压范围 Operation Voltage	电流 Current	转速 Speed	风量 Air Flow	风压 Static Pressure	噪音 Noise Level	重量 Weight
		VDC	VDC	A	RPM	CFM	mmH ₂ O	dBA	g
DFH2510S	Sleeve	5	4.5~5.5	0.20	13000	2.90	6.93	30.8	6
DFM2510S				0.16	10000	2.22	5.01	24.1	
DFL2510S				0.14	7000	1.53	2.40	18.9	
DFH2510B	Ball			0.20	13000	2.90	6.93	30.8	
DFM2510B				0.16	10000	2.22	5.01	24.1	
DFL2510B				0.14	7000	1.53	2.40	18.9	
DFH2510S	Sleeve	12	10.8~13.2	0.12	13000	2.90	6.93	30.8	
DFM2510S				0.10	10000	2.22	5.01	24.1	
DFL2510S				0.08	7000	1.53	2.40	18.9	
DFH2510B	Ball			0.12	13000	2.90	6.93	30.8	
DFM2510B				0.10	10000	2.22	5.01	24.1	
DFL2510B				0.08	7000	1.53	2.40	18.9	

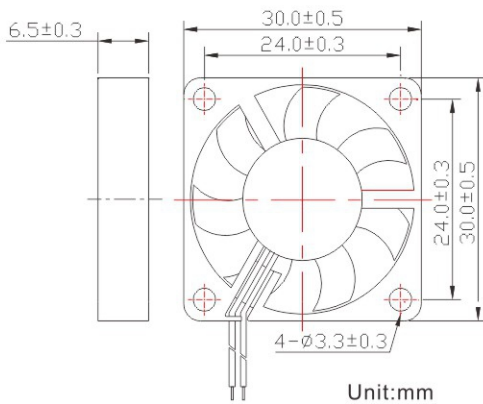
3006



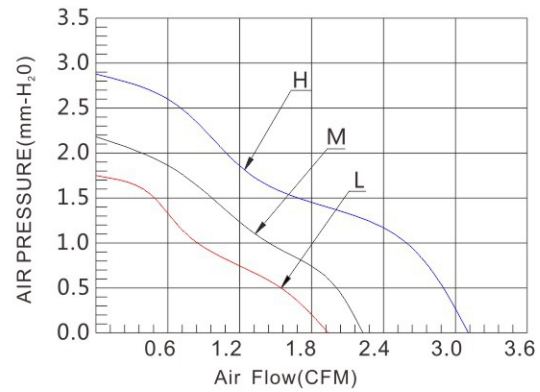
General Specifications (一般规格)

- ◆ Material:
Frame And Impeller: Thermal Plastic UL 94-0
- ◆ Lead Wires: UL Type
RED Wire Positive(+)
Black Wire Negative(-)
- ◆ Insulation Resistance: 10MΩ Or Over With a DC250V Megger
- ◆ Dielectric Withstand Voltage: AC500V 1S
- ◆ Allowable Ambient Temperature Range:
-10°C ~ +70°C (Operating)
-40°C ~ +70°C (Storage)

Dimensions Drawing (外观图)



Characteristic Curves (特性曲线)



Specifications/规格

型号 Model	轴承类型 Bearing Type	电压 Rated Voltage	电压范围 Operation Voltage	电流 Current	转速 Speed	风量 Air Flow	风压 Static Pressure	噪音 Noise Level	重量 Weight
		VDC	VDC	A	RPM	CFM	mmH ₂ O	dBA	g
DFH3006S	Sleeve	5	4.5 ~ 5.5	0.20	8000	3.09	2.87	25.4	7
DFM3006S				0.16	6000	2.32	2.15	21.3	
DFL3006S				0.12	5000	1.93	1.79	20.1	
DFH3006B	Ball			0.20	8000	3.09	2.87	25.4	
DFM3006B				0.16	6000	2.32	2.15	21.3	
DFL3006B				0.12	5000	1.93	1.79	20.1	
DFH3006S	Sleeve	12	10.8 ~ 13.2	0.10	8000	3.09	2.87	25.4	
DFM3006S				0.08	6000	2.32	2.15	21.3	
DFL3006S				0.06	5000	1.93	1.79	20.1	
DFH3006B	Ball			0.10	8000	3.09	2.87	25.4	
DFM3006B				0.08	6000	2.32	2.15	21.3	
DFL3006B				0.06	5000	1.93	1.79	20.1	

Notes: 1. The parameters listed above are for reference. 2. Individual specification will be according to approval sheet provided or customers requirement.

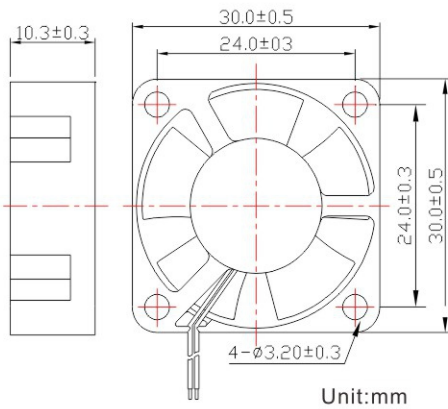
3010



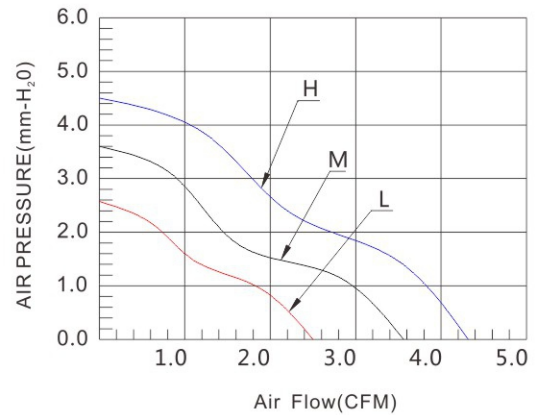
General Specifications (一般规格)

- ◆ Material:
Frame And Impeller: Thermal Plastic UL 94-0
- ◆ Lead Wires: UL Type
RED Wire Positive(+)
Black Wire Negative(-)
- ◆ Insulation Resistance: 10MΩ Or Over With a DC250V Megger
- ◆ Dielectric Withstand Voltage: AC500V 1S
- ◆ Allowable Ambient Temperature Range:
-10°C ~ +70°C(Operating)
-40°C ~ +70°C(Storage)

Dimensions Drawing(外观图)



Characteristic Curves (特性曲线)



Specifications/规格

型号 Model	轴承类型 Bearing Type	电压 Rated Voltage	电压范围 Operation Voltage	电流 Current	转速 Speed	风量 Air Flow	风压 Static Pressure	噪音 Noise Level	重量 Weight
		VDC	VDC	A	RPM	CFM	mmH ₂ O	dBA	g
DFH3010S	Sleeve	5	4.5~5.5	0.20	9500	4.23	4.47	28.5	8
DFM3010S				0.16	8000	3.56	3.76	23.2	
DFL3010S				0.14	5500	2.45	2.59	20.3	
DFH3010B	Ball			0.20	9500	4.32	4.47	28.5	
DFM3010B				0.16	8000	3.56	3.76	23.2	
DFL3010B				0.14	5500	2.45	2.59	20.3	
DFH3010S	Sleeve	12	10.8~13.2	0.12	9500	4.23	4.47	28.5	
DFM3010S				0.10	8000	3.56	3.76	23.2	
DFL3010S				0.08	5500	2.45	2.59	20.3	
DFH3010B	Ball			0.12	9500	4.23	4.47	28.5	
DFM3010B				0.10	8000	3.56	3.76	23.2	
DFL3010B				0.08	5500	2.45	2.59	20.3	

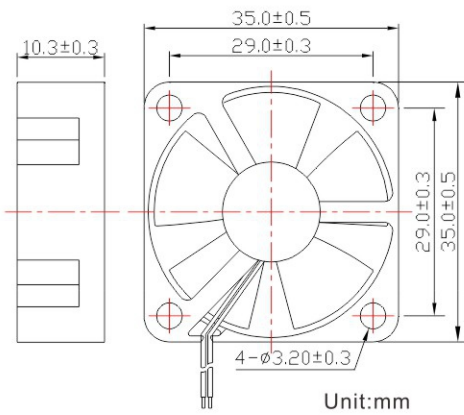
3510



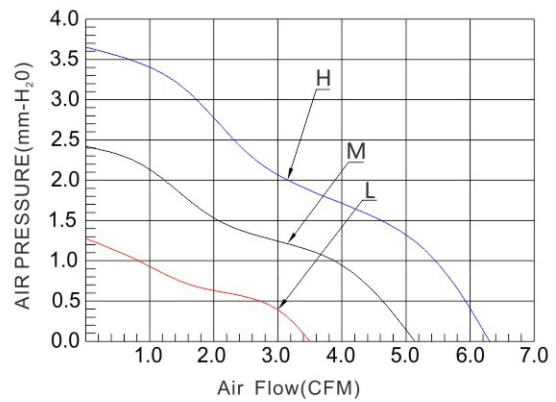
General Specifications (一般规格)

- ◆ Material:
Frame And Impeller: Thermal Plastic UL 94-0
- ◆ Lead Wires: UL Type
RED Wire Positive(+)
Black Wire Negative(-)
- ◆ Insulation Resistance: 10MΩ Or Over With a DC250V Megger
- ◆ Dielectric Withstand Voltage: AC500V 1S
- ◆ Allowable Ambient Temperature Range:
-10°C ~ +70°C (Operating)
-40°C ~ +70°C (Storage)

Dimensions Drawing (外观图)



Characteristic Curves (特性曲线)



Specifications/规格

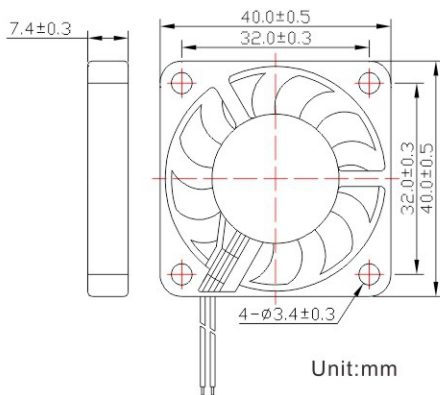
型号 Model	轴承类型 Bearing Type	电压 Rated Voltage	电压范围 Operation Voltage	电流 Current	转速 Speed	风量 Air Flow	风压 Static Pressure	噪音 Noise Level	重量 Weight
		VDC	VDC	A	RPM	CFM	mmH ₂ O	dBA	g
DFH3510S	Sleeve	5	4.5 ~ 5.5	0.30	9000	6.30	3.68	32.4	9
DFM3510S				0.22	7000	5.06	2.44	25.9	
DFL3510S				0.13	5000	3.51	1.28	20.3	
DFH3510B	Ball			0.30	9000	6.30	3.68	32.4	
DFM3510B				0.22	7000	5.06	2.44	25.9	
DFL3510B				0.13	5000	3.51	1.28	20.3	
DFH3510S	Sleeve	12	10.8 ~ 13.2	0.15	9000	6.30	3.68	32.4	
DFM3510S				0.10	7000	5.06	2.44	25.9	
DFL3510S				0.08	5000	3.51	1.28	20.3	
DFH3510B	Ball			0.15	9000	6.30	3.68	32.4	
DFM3510B				0.10	7000	5.06	2.44	25.9	
DFL3510B				0.08	5000	3.51	1.28	20.3	

Notes: 1. The parameters listed above are for reference. 2. Individual specification will be according to approval sheet provided or customers requirement.

4007



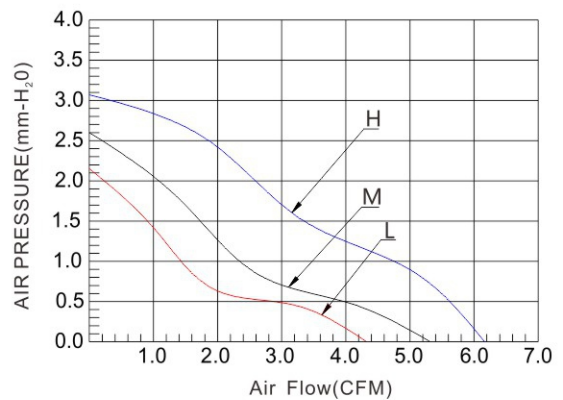
■ Dimensions Drawing(外观图)



General Specifications (一般规格)

- ◆Material:
Frame And Impeller:Thermal Plastic UL 94-0
- ◆Lead Wires:UL Type
RED Wire Positive(+)
Black Wire Negative(-)
- ◆Insulation Resistance:10MΩ Or Over With a DC250V Megger
- ◆Dielectric Withstand Voltage:AC500V 1S
- ◆Allowable Ambient Temperature Range:
-10°C ~ +70°C(Operating)
-40°C ~ +70°C(Storage)

■ Characteristic Curves (特性曲线)



■ Specifications/规格

型号 Model	轴承类型 Bearing Type	电压 Rated Voltage	电压范围 Operation Voltage	电流 Current	转数 Speed	风量 Air Flow	风压 Static Pressure	噪音 Noise Level	重量 Weight
		VDC	VDC	A	RPM	CFM	mmH ₂ O	dBA	g
DFH4007S	Sleeve	5	4.5 ~ 5.5	0.26	7000	6.07	3.03	31.6	8.5
DFM4007S				0.20	6000	5.20	2.60	27.1	
DFL4007S				0.12	5000	4.34	2.17	20.6	
DFH4007S		12	10.8 ~ 13.2	0.13	7000	6.07	3.03	31.6	
DFM4007S				0.10	6000	5.20	2.60	27.1	
DFL4007S				0.07	5000	4.34	2.17	22.6	

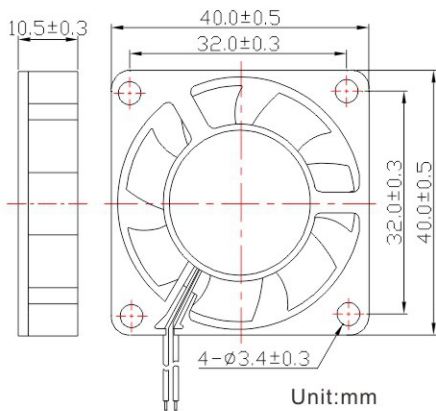
4010-A



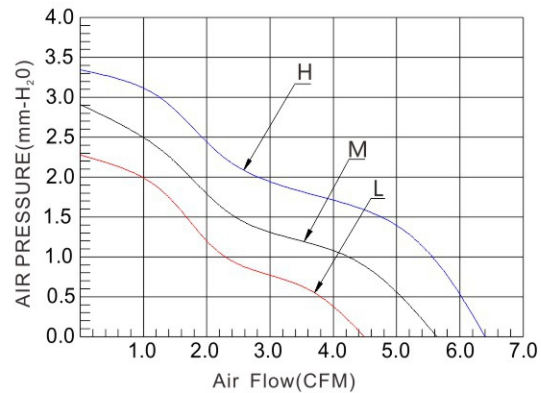
General Specifications (一般规格)

- ◆ Material:
Frame And Impeller: Thermal Plastic UL 94-0
- ◆ Lead Wires: UL Type
RED Wire Positive(+)
Black Wire Negative(-)
- ◆ Insulation Resistance: 10MΩ Or Over With a DC250V Megger
- ◆ Dielectric Withstand Voltage: AC500V 1S
- ◆ Allowable Ambient Temperature Range:
-10°C ~ +70°C (Operating)
-40°C ~ +70°C (Storage)

Dimensions Drawing (外观图)



Characteristic Curves (特性曲线)



Specifications/规格

型号 Model	轴承类型 Bearing Type	电压 Rated Voltage	电压范围 Operation Voltage	电流 Current	转速 Speed	风量 Air Flow	风压 Static Pressure	噪音 Noise Level	重量 Weight
		VDC	VDC	A	RPM	CFM	mmH ₂ O	dBA	g
DFH4010S	Sleeve	5	4.5 ~ 5.5	0.24	6000	6.40	3.31	26.3	18
DFM4010S				0.18	5400	5.62	2.91	24.8	
DFL4010S				0.12	4200	4.48	2.32	21.1	
DFH4010B	Ball			0.24	6000	6.40	3.31	26.3	
DFM4010B				0.18	5400	5.62	2.91	24.8	
DFL4010B				0.12	4200	4.48	2.32	21.1	
DFH4010S	Sleeve	12	10.8 ~ 13.2	0.10	6000	6.40	3.31	26.3	
DFM4010S				0.08	5400	5.62	2.91	24.8	
DFL4010S				0.06	4200	4.48	2.32	21.1	
DFH4010B	Ball			0.10	6000	6.40	3.31	26.3	
DFM4010B				0.08	5400	5.62	2.91	24.8	
DFL4010B				0.06	4200	4.48	2.32	21.1	

Notes: 1. The parameters listed above are for reference. 2. Individual specification will be according to approval sheet provided or customers requirement.

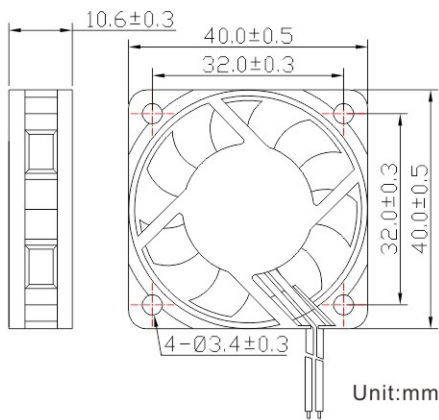
4010-B



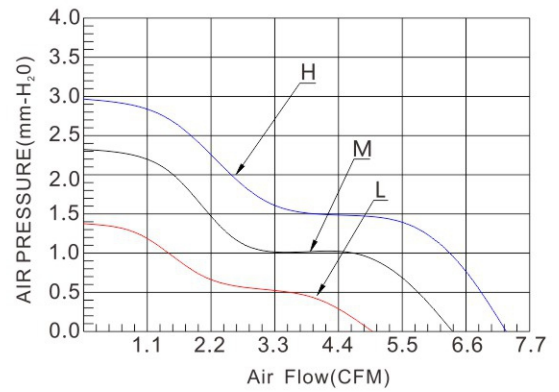
General Specifications (一般规格)

- ◆ Material:
Frame And Impeller: Thermal Plastic UL 94-0
- ◆ Lead Wires: UL Type
RED Wire Positive(+)
Black Wire Negative(-)
- ◆ Insulation Resistance: 10MΩ Or Over With a DC250V Megger
- ◆ Dielectric Withstand Voltage: AC500V 1S
- ◆ Allowable Ambient Temperature Range:
-10°C ~ +70°C(Operating)
-40°C ~ +70°C(Storage)

Dimensions Drawing(外观图)



Characteristic Curves (特性曲线)



Specifications/规格

型号 Model	轴承类型 Bearing Type	电压 Rated Voltage	电压范围 Operation Voltage	电流 Current	转速 Speed	风量 Air Flow	风压 Static Pressure	噪音 Noise Level	重量 Weight
		VDC	VDC	A	RPM	CFM	mmH ₂ O	dBA	g
DFH4010S	Sleeve	5	4.5 ~ 5.5	0.24	6000	7.21	2.85	28.3	18
DFM4010S				0.18	5400	6.49	2.31	26.0	
DFL4010S				0.12	4200	5.05	1.39	20.6	
DFH4010B	Ball			0.24	6000	7.21	2.85	28.3	
DFM4010B				0.18	5400	6.49	2.31	26.0	
DFL4010B				0.12	4200	5.05	1.39	20.6	
DFH4010S	Sleeve	12	10.8 ~ 13.2	0.10	6000	7.21	2.85	28.3	
DFM4010S				0.08	5400	6.49	2.31	26.0	
DFL4010S				0.06	4200	5.05	1.39	20.6	
DFH4010B	Ball			0.10	6000	7.21	2.85	28.3	
DFM4010B				0.08	5400	6.49	2.31	26.0	
DFL4010B				0.06	4200	5.05	1.39	20.6	

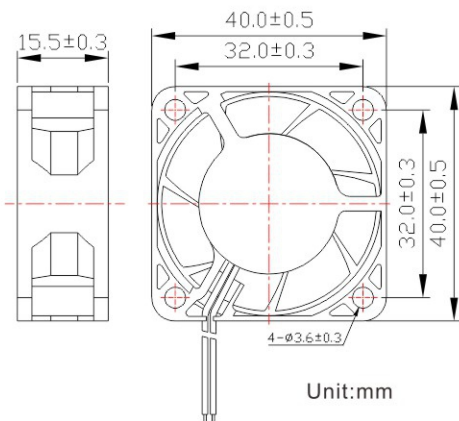
4015



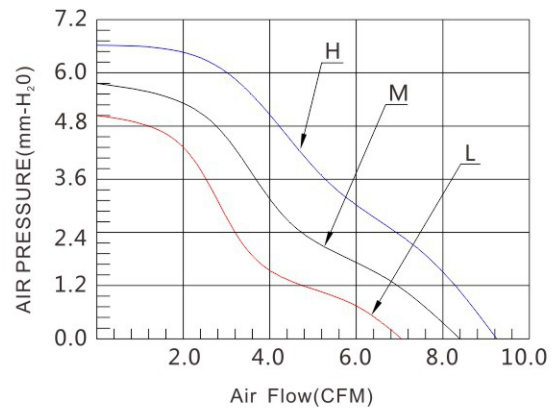
General Specifications (一般规格)

- ◆ Material:
Frame And Impeller: Thermal Plastic UL 94-0
- ◆ Lead Wires: UL Type
RED Wire Positive(+)
Black Wire Negative(-)
- ◆ Insulation Resistance: 10MΩ Or Over With a DC250V Megger
- ◆ Dielectric Withstand Voltage: AC500V 1S
- ◆ Allowable Ambient Temperature Range:
-10°C ~ +70°C (Operating)
-40°C ~ +70°C (Storage)

Dimensions Drawing (外观图)



Characteristic Curves (特性曲线)



Specifications/规格

型号 Model	轴承类型 Bearing Type	电压 Rated Voltage	电压范围 Operation Voltage	电流 Current	转速 Speed	风量 Air Flow	风压 Static Pressure	噪音 Noise Level	重量 Weight
		VDC	VDC	A	RPM	CFM	mmH ₂ O	dBA	g
DFH4015S	Sleeve	5	4.5 ~ 5.5	0.27	8000	9.18	6.56	33.7	21
DFM4015S				0.22	7000	8.02	5.73	29.5	
DFL4015S				0.16	6000	6.88	4.92	25.3	
DFH4015B	Ball			0.27	8000	9.18	6.56	33.7	
DFM4015B				0.22	7000	8.02	5.73	29.5	
DFL4015B				0.16	6000	6.88	4.92	25.3	
DFH4010S	Sleeve	12	10.8 ~ 13.2	0.13	8000	9.18	6.56	33.7	
DFM4015S				0.10	7000	8.02	5.73	29.5	
DFL4015S				0.08	6000	6.88	4.92	25.3	
DFH4015B	Ball			0.13	8000	9.18	6.56	33.7	
DFM4015B				0.10	7000	8.02	5.73	29.5	
DFL4015B				0.08	6000	6.88	4.92	25.3	

Notes: 1. The parameters listed above are for reference. 2. Individual specification will be according to approval sheet provided or customers requirement.

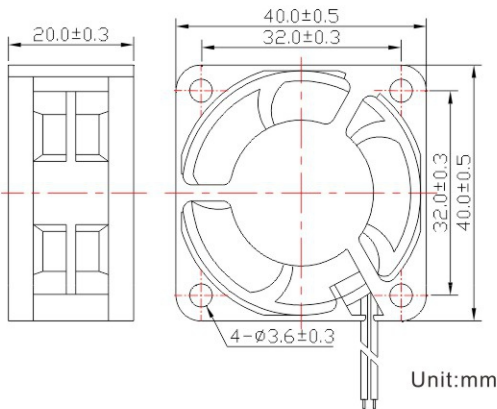
4020



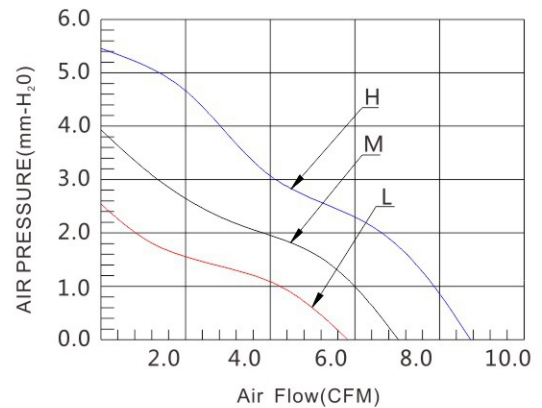
General Specifications (一般规格)

- ◆ Material:
Frame And Impeller: Thermal Plastic UL 94-0
- ◆ Lead Wires: UL Type
RED Wire Positive(+)
Black Wire Negative(-)
- ◆ Insulation Resistance: 10MΩ Or Over With a DC250V Megger
- ◆ Dielectric Withstand Voltage: AC500V 1S
- ◆ Allowable Ambient Temperature Range:
-10°C ~ +70°C(Operating)
-40°C ~ +70°C(Storage)

Dimensions Drawing(外观图)



Characteristic Curves (特性曲线)



Specifications/规格

型号 Model	轴承类型 Bearing Type	电压 Rated Voltage	电压范围 Operation Voltage	电流 Current	转速 Speed	风量 Air Flow	风压 Static Pressure	噪音 Noise Level	重量 Weight
		VDC	VDC	A	RPM	CFM	mmH ₂ O	dBA	g
DFH4020S	Sleeve	5	4.5~5.5	0.26	7500	8.60	5.58	33.6	23
DFM4020S				0.20	6200	7.10	3.98	29.1	
DFL4020S				0.14	5000	5.70	2.54	25.5	
DFH4020B	Ball			0.26	7500	8.60	5.58	33.6	
DFM4020B				0.20	6200	7.10	3.98	29.1	
DFL4020B				0.14	5000	5.70	2.54	25.5	
DFH4020S	Sleeve	12	10.8~13.2	0.15	7500	8.60	5.58	33.6	
DFM4020S				0.11	6200	7.10	3.98	29.1	
DFL4020S				0.07	5000	5.70	2.54	25.5	
DFH4020B	Ball			0.15	7500	8.60	5.58	33.6	
DFM4020B				0.11	6200	7.10	3.98	29.1	
DFL4020B				0.07	5000	5.70	2.54	25.5	

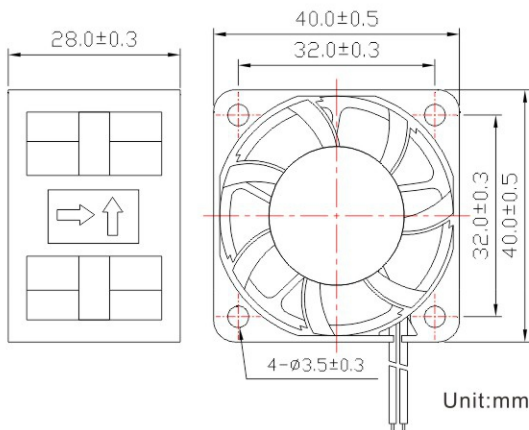
4028



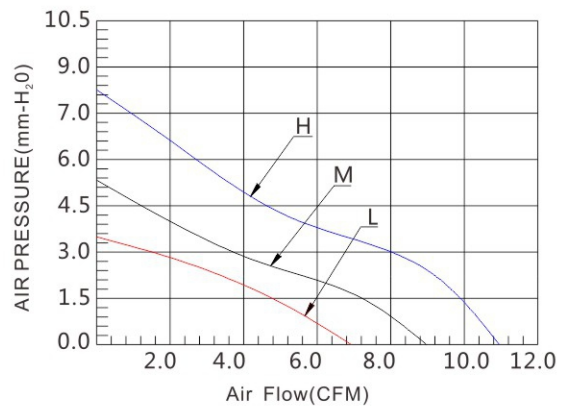
General Specifications (一般规格)

- ◆ Material:
Frame And Impeller: Thermal Plastic UL 94-0
- ◆ Lead Wires: UL Type
RED Wire Positive(+)
Black Wire Negative(-)
- ◆ Insulation Resistance: 10MΩ Or Over With a DC250V Megger
- ◆ Dielectric Withstand Voltage: AC500V 1S
- ◆ Allowable Ambient Temperature Range:
-10°C ~ +70°C (Operating)
-40°C ~ +70°C (Storage)

Dimensions Drawing (外观图)



Characteristic Curves (特性曲线)



Specifications/规格

型号 Model	轴承类型 Bearing Type	电压 Rated Voltage	电压范围 Operation Voltage	电流 Current	转速 Speed	风量 Air Flow	风压 Static Pressure	噪音 Noise Level	重量 Weight
		VDC	VDC	A	RPM	CFM	mmH ₂ O	dBA	g
DFH4028S	Sleeve	12	10.8 ~ 13.2	0.18	8000	10.27	8.37	38.8	35
DFM4028S				0.15	6500	8.45	5.70	32.6	
DFL4028S				0.12	5000	6.42	3.27	25.4	
DFH4028B	Ball			0.18	8000	10.27	8.37	38.8	
DFM4028B				0.15	6500	8.45	5.70	32.6	
DFL4028B				0.12	5000	6.42	3.27	25.4	
DFH4028S	Sleeve	24	21.6 ~ 26.4	0.13	8000	10.27	8.37	38.8	
DFM4028S				0.08	6500	8.45	5.70	32.6	
DFL4028S				0.05	5000	6.42	3.27	25.4	
DFH4028B	Ball			0.13	8000	10.27	8.37	38.8	
DFM4028B				0.08	6500	8.45	5.70	32.6	
DFL4028B				0.05	5000	6.42	3.27	25.4	

Notes: 1. The parameters listed above are for reference. 2. Individual specification will be according to approval sheet provided or customers requirement.

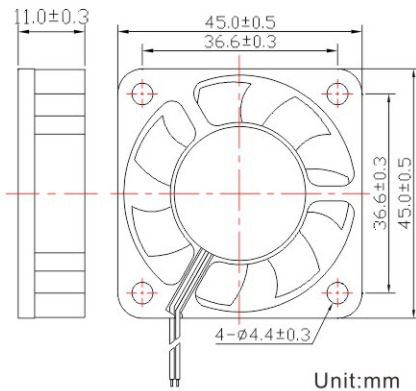
4510



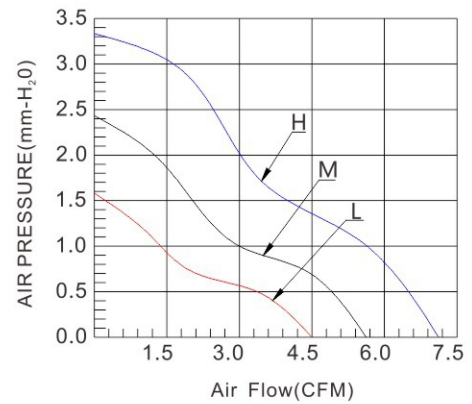
General Specifications (一般规格)

- ◆ Material:
Frame And Impeller: Thermal Plastic UL 94-0
- ◆ Lead Wires: UL Type
RED Wire Positive(+)
Black Wire Negative(-)
- ◆ Insulation Resistance: 10MΩ Or Over With a DC250V Megger
- ◆ Dielectric Withstand Voltage: AC500V 1S
- ◆ Allowable Ambient Temperature Range:
-10°C ~ +70°C(Operating)
-40°C ~ +70°C(Storage)

Dimensions Drawing(外观图)



Characteristic Curves (特性曲线)



Specifications/规格

型号 Model	轴承类型 Bearing Type	电压 Rated Voltage	电压范围 Operation Voltage	电流 Current	转速 Speed	风量 Air Flow	风压 Static Pressure	噪音 Noise Level	重量 Weight
		VDC	VDC	A	RPM	CFM	mmH ₂ O	dBA	g
DFH4510S	Sleeve	5	4.5 ~ 5.5	0.20	6000	7.22	3.38	31.9	15
DFM4510S				0.16	5000	5.83	2.42	27.3	
DFL4510S				0.12	4000	4.50	1.57	22.1	
DFH4510B	Ball			0.20	6000	7.22	3.38	31.9	
DFM4510B				0.16	5000	5.83	2.42	27.3	
DFL4510B				0.12	4000	4.50	1.57	22.1	
DFH4510S	Sleeve	12	10.8 ~ 13.2	0.15	6000	7.22	3.38	31.9	
DFM4510S				0.10	5000	5.83	2.42	27.3	
DFL4510S				0.08	4000	4.50	1.57	22.1	
DFH4510B	Ball			0.15	6000	7.22	3.38	31.9	
DFM4510B				0.10	5000	5.83	2.42	27.3	
DFL4510B				0.08	4000	4.50	1.57	22.1	

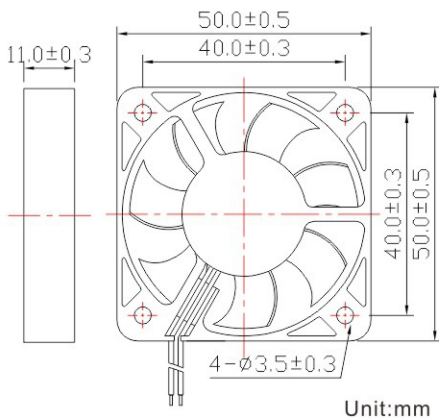
5010



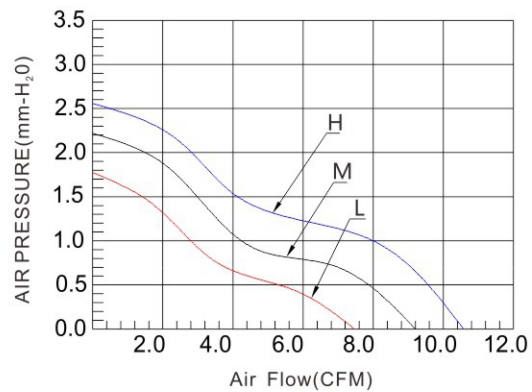
General Specifications (一般规格)

- ◆ Material:
Frame And Impeller: Thermal Plastic UL 94-0
- ◆ Lead Wires: UL Type
RED Wire Positive(+)
Black Wire Negative(-)
- ◆ Insulation Resistance: 10MΩ Or Over With a DC250V Megger
- ◆ Dielectric Withstand Voltage: AC500V 1S
- ◆ Allowable Ambient Temperature Range:
-10°C ~ +70°C (Operating)
-40°C ~ +70°C (Storage)

Dimensions Drawing (外观图)



Characteristic Curves (特性曲线)



Specifications/规格

型号 Model	轴承类型 Bearing Type	电压 Rated Voltage	电压范围 Operation Voltage	电流 Current	转速 Speed	风量 Air Flow	风压 Static Pressure	噪音 Noise Level	重量 Weight
		VDC	VDC	A	RPM	CFM	mmH ₂ O	dBA	g
DFH5010S	Sleeve	5	4.5 ~ 5.5	0.25	5000	10.43	2.52	28.4	20
DFM5010S				0.20	4500	9.42	2.27	26.1	
DFL5010S				0.15	3500	7.30	1.77	20.8	
DFH5010B	Ball			0.25	5000	10.43	2.52	28.4	
DFM5010B				0.20	4500	9.42	2.27	26.1	
DFL5010B				0.15	3500	7.30	1.77	20.8	
DFH5010S	Sleeve	12	10.8 ~ 13.2	0.16	5000	10.43	2.52	28.4	
DFM5010S				0.12	4500	9.42	2.27	26.1	
DFL5010S				0.08	3500	7.30	1.77	20.8	
DFH5010B	Ball			0.16	5000	10.43	2.52	28.4	
DFM5010B				0.10	4500	9.42	2.27	26.1	
DFL5010B				0.08	3500	7.30	1.77	20.8	

Notes: 1. The parameters listed above are for reference. 2. Individual specification will be according to approval sheet provided or customers requirement.

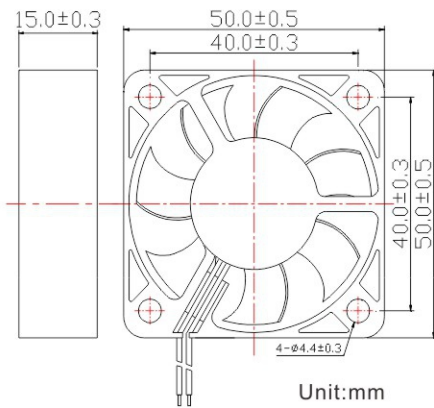
5015-A



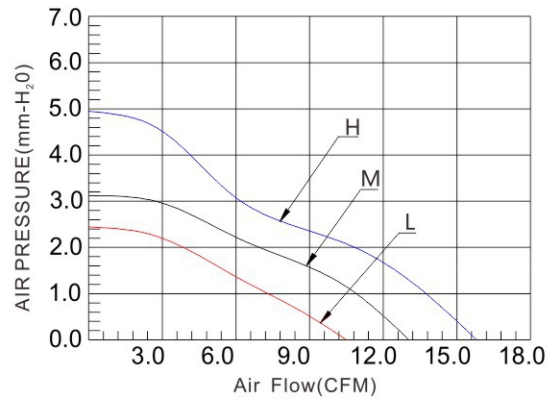
General Specifications (一般规格)

- ◆ Material:
Frame And Impeller: Thermal Plastic UL 94-0
- ◆ Lead Wires: UL Type
RED Wire Positive(+)
Black Wire Negative(-)
- ◆ Insulation Resistance: 10MΩ Or Over With a DC250V Megger
- ◆ Dielectric Withstand Voltage: AC500V 1S
- ◆ Allowable Ambient Temperature Range:
-10°C ~ +70°C(Operating)
-40°C ~ +70°C(Storage)

Dimensions Drawing(外观图)



Characteristic Curves (特性曲线)



Specifications/规格

型号 Model	轴承类型 Bearing Type	电压 Rated Voltage	电压范围 Operation Voltage	电流 Current	转速 Speed	风量 Air Flow	风压 Static Pressure	噪音 Noise Level	重量 Weight
		VDC	VDC	A	RPM	CFM	mmH ₂ O	dBA	g
DFH5015S	Sleeve	5	4.5 ~ 5.5	0.30	5500	16.50	4.58	36.4	29
DFM5015S				0.23	4500	13.94	3.04	31.7	
DFL5015S				0.17	3500	10.85	2.25	29.4	
DFH5015B	Ball			0.30	5500	16.50	4.58	36.4	
DFM5015B				0.23	4500	13.94	3.04	31.7	
DFL5015B				0.17	3500	10.85	2.25	29.4	
DFH5015S	Sleeve	12	10.8 ~ 13.2	0.12	5500	16.50	4.58	36.4	
DFM5015S				0.10	4500	13.94	3.04	31.7	
DFL5015S				0.08	3500	10.85	2.25	29.4	
DFH5015B	Ball			0.12	5500	16.50	4.58	36.4	
DFM5015B				0.10	4500	13.94	3.04	31.7	
DFL5015B				0.08	3500	10.85	2.25	29.4	

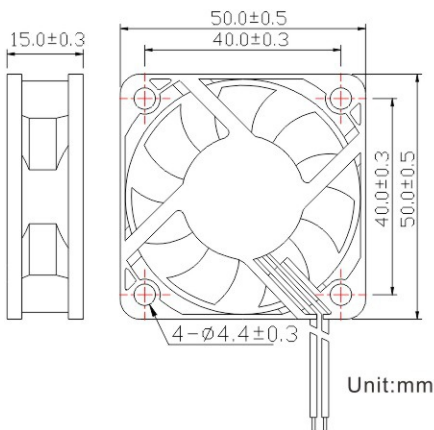
5015-B



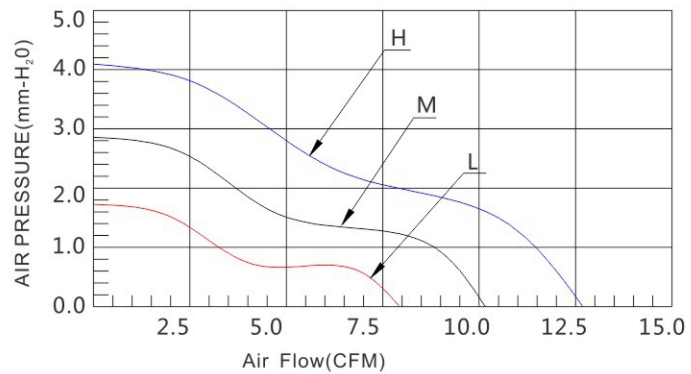
General Specifications (一般规格)

- ◆ Material:
Frame And Impeller: Thermal Plastic UL 94-0
- ◆ Lead Wires: UL Type
RED Wire Positive(+)
Black Wire Negative(-)
- ◆ Insulation Resistance: 10MΩ Or Over With a DC250V Megger
- ◆ Dielectric Withstand Voltage: AC500V 1S
- ◆ Allowable Ambient Temperature Range:
-10°C ~ +70°C (Operating)
-40°C ~ +70°C (Storage)

Dimensions Drawing (外观图)



Characteristic Curves (特性曲线)



Specifications/规格

型号 Model	轴承类型 Bearing Type	电压 Rated Voltage	电压范围 Operation Voltage	电流 Current	转速 Speed	风量 Air Flow	风压 Static Pressure	噪音 Noise Level	重量 Weight
		VDC	VDC	A	RPM	CFM	mmH ₂ O	dBA	g
DFH5015S	Sleeve	5	4.5 ~ 5.5	0.30	5500	12.55	4.18	37.5	29
DFM5015S				0.23	4500	10.10	2.86	32.1	
DFL5015S				0.17	3500	7.93	1.77	28.2	
DFH5015B	Ball			0.30	5500	12.55	4.18	37.5	
DFM5015B				0.23	4500	10.10	2.86	32.1	
DFL5015B				0.17	3500	7.93	1.77	28.2	
DFH5015S	Sleeve	12	10.8 ~ 13.2	0.12	5500	12.55	4.18	37.5	
DFM5015S				0.10	4500	10.10	2.86	32.1	
DFL5015S				0.08	3500	7.93	1.77	28.2	
DFH5015B	Ball			0.12	5500	12.55	4.18	37.5	
DFM5015B				0.10	4500	10.10	2.86	32.1	
DFL5015B				0.08	3500	7.93	1.77	28.2	

Notes: 1. The parameters listed above are for reference. 2. Individual specification will be according to approval sheet provided or customers requirement.

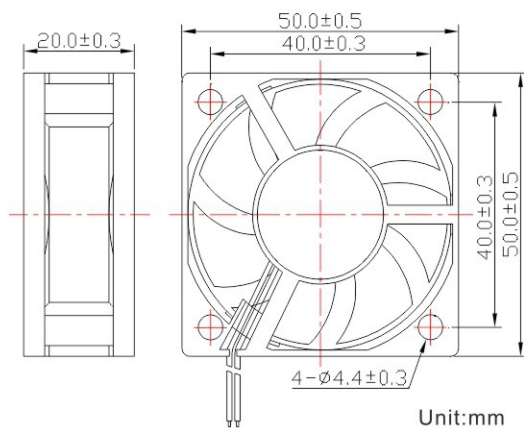
5020



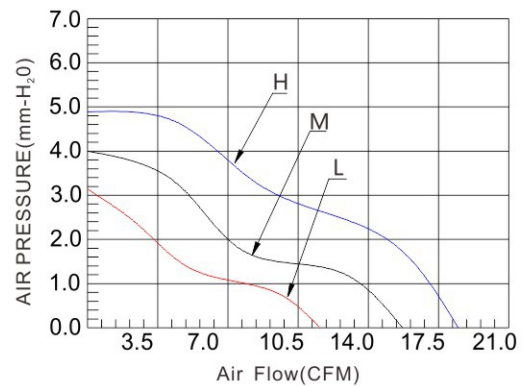
General Specifications (一般规格)

- ◆ Material:
Frame And Impeller: Thermal Plastic UL 94-0
- ◆ Lead Wires: UL Type
RED Wire Positive(+)
Black Wire Negative(-)
- ◆ Insulation Resistance: 10MΩ Or Over With a DC250V Megger
- ◆ Dielectric Withstand Voltage: AC500V 1S
- ◆ Allowable Ambient Temperature Range:
-10°C ~ +70°C(Operating)
-40°C ~ +70°C(Storage)

Dimensions Drawing(外观图)



Characteristic Curves (特性曲线)



Specifications/规格

型号 Model	轴承类型 Bearing Type	电压 Rated Voltage	电压范围 Operation Voltage	电流 Current	转速 Speed	风量 Air Flow	风压 Static Pressure	噪音 Noise Level	重量 Weight
		VDC	VDC	A	RPM	CFM	mmH ₂ O	dBA	g
DFH5020S	Sleeve	5	4.5 ~ 5.5	0.32	5500	18.33	4.89	35.2	32
DFM5020S				0.26	4500	14.99	4.00	28.8	
DFL5020S				0.18	3500	11.66	3.11	22.4	
DFH5020B	Ball			0.32	5500	18.33	4.89	35.2	
DFM5020B				0.26	4500	14.99	4.00	28.8	
DFL5020B				0.18	3500	11.66	3.11	22.4	
DFH5020S	Sleeve	12	10.8 ~ 13.2	0.20	5500	18.33	4.89	35.2	
DFM5020S				0.15	4500	14.99	4.00	28.8	
DFL5020S				0.09	3500	11.66	3.11	22.4	
DFH5020B	Ball			0.20	5500	18.33	4.89	35.2	
DFM5020B				0.15	4500	14.99	4.00	28.8	
DFL5020B				0.09	3500	11.66	3.11	22.4	

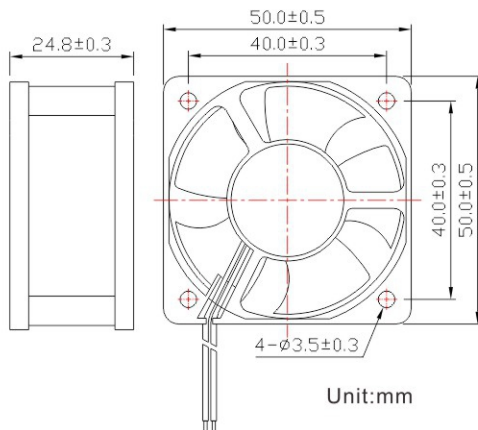
5025



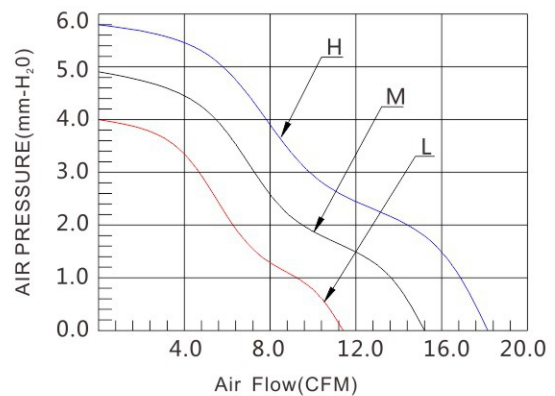
General Specifications (一般规格)

- ◆ Material:
Frame And Impeller: Thermal Plastic UL 94-0
- ◆ Lead Wires: UL Type
RED Wire Positive(+)
Black Wire Negative(-)
- ◆ Insulation Resistance: 10MΩ Or Over With a DC250V Megger
- ◆ Dielectric Withstand Voltage: AC500V 1S
- ◆ Allowable Ambient Temperature Range:
-10°C ~ +70°C (Operating)
-40°C ~ +70°C (Storage)

Dimensions Drawing (外观图)



Characteristic Curves (特性曲线)



Specifications/规格

型号 Model	轴承类型 Bearing Type	电压 Rated Voltage	电压范围 Operation Voltage	电流 Current	转速 Speed	风量 Air Flow	风压 Static Pressure	噪音 Noise Level	重量 Weight
		VDC	VDC	A	RPM	CFM	mmH ₂ O	dBA	g
DFH5025S	Hydraulic	12	10.8 ~ 13.2	0.15	6000	17.83	5.84	37.0	35
DFM5025S				0.11	5000	14.85	4.86	30.8	
DFL5025S				0.08	4000	11.88	3.89	24.7	
DFH5025B	Ball			0.15	6000	17.83	5.84	37.0	
DFM5025B				0.1	5000	14.85	4.86	30.8	
DFL5025B				0.08	4000	11.88	3.89	24.7	
DFH5025S	Hydraulic	24	21.6 ~ 26.4	0.10	6000	17.83	5.84	37.0	
DFM5025S				0.08	5000	14.85	4.86	30.8	
DFL5025S				0.06	4000	11.88	3.89	24.7	
DFH5025B	Ball			0.10	6000	17.83	5.84	37.0	
DFM5025B				0.08	5000	14.85	4.86	30.8	
DFL5025B				0.06	4000	11.88	3.89	24.7	

Notes: 1. The parameters listed above are for reference. 2. Individual specification will be according to approval sheet provided or customers requirement.

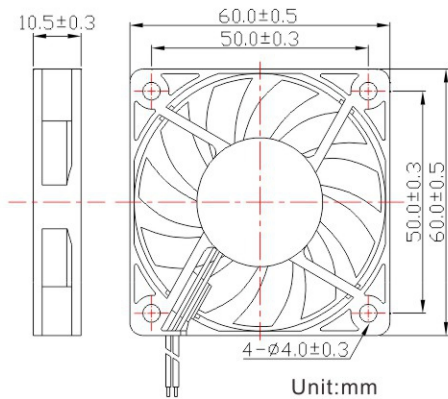
6010



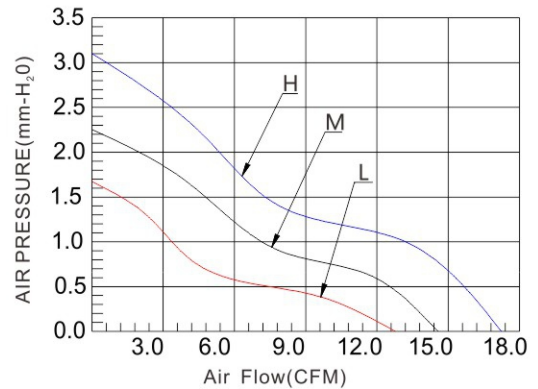
General Specifications (一般规格)

- ◆ Material:
Frame And Impeller: Thermal Plastic UL 94-0
- ◆ Lead Wires: UL Type
RED Wire Positive(+)
Black Wire Negative(-)
- ◆ Insulation Resistance: 10MΩ Or Over With a DC250V Megger
- ◆ Dielectric Withstand Voltage: AC500V 1S
- ◆ Allowable Ambient Temperature Range:
-10°C ~ +70°C(Operating)
-40°C ~ +70°C(Storage)

Dimensions Drawing(外观图)



Characteristic Curves (特性曲线)



Specifications/规格

型号 Model	轴承类型 Bearing Type	电压 Rated Voltage	电压范围 Operation Voltage	电流 Current	转速 Speed	风量 Air Flow	风压 Static Pressure	噪音 Noise Level	重量 Weight
		VDC	VDC	A	RPM	CFM	mmH ₂ O	dBA	g
DFH6010S	Sleeve	5	4.5 ~ 5.5	0.35	4000	17.17	3.15	28.9	27
DFM6010S				0.30	3500	14.78	2.38	26.4	
DFL6010S				0.25	3000	12.30	1.67	23.3	
DFH6010B	Ball			0.35	4000	17.17	3.15	28.9	
DFM6010B				0.30	3500	14.78	2.38	26.4	
DFL6010B				0.25	3000	12.30	1.67	23.3	
DFH6010S	Sleeve	12	10.8 ~ 13.2	0.23	4000	17.17	3.15	28.9	
DFM6010S				0.17	3500	14.78	2.38	26.4	
DFL6010S				0.13	3000	12.30	1.67	23.3	
DFH6010B	Ball			0.23	4000	17.17	3.15	28.9	
DFM6010B				0.17	3500	14.78	2.38	26.4	
DFL6010B				0.13	3000	12.30	1.67	23.3	

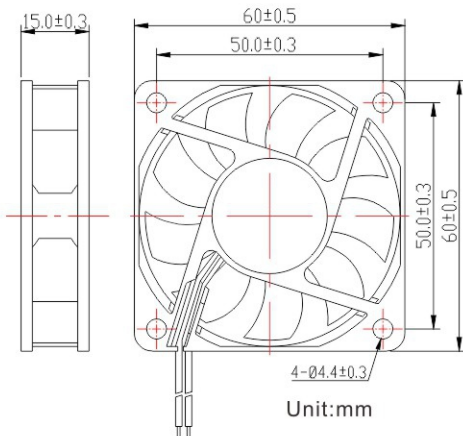
6015



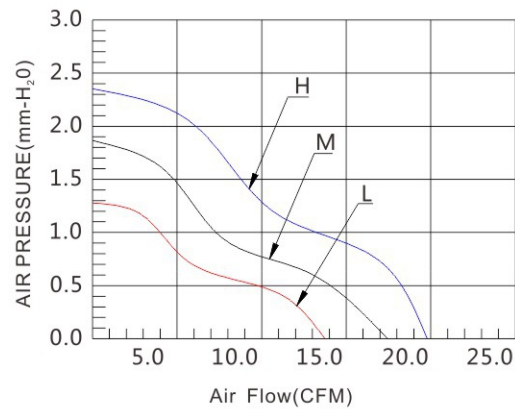
General Specifications (一般规格)

- ◆ Material:
Frame And Impeller: Thermal Plastic UL 94-0
- ◆ Lead Wires: UL Type
RED Wire Positive(+)
Black Wire Negative(-)
- ◆ Insulation Resistance: 10MΩ Or Over With a DC250V Megger
- ◆ Dielectric Withstand Voltage: AC500V 1S
- ◆ Allowable Ambient Temperature Range:
-10°C ~ +70°C (Operating)
-40°C ~ +70°C (Storage)

Dimensions Drawing (外观图)



Characteristic Curves (特性曲线)



Specifications/规格

型号 Model	轴承类型 Bearing Type	电压 Rated Voltage	电压范围 Operation Voltage	电流 Current	转速 Speed	风量 Air Flow	风压 Static Pressure	噪音 Noise Level	重量 Weight
		VDC	VDC	A	RPM	CFM	mmH ₂ O	dBA	g
DFH6015S	Sleeve	5	4.5 ~ 5.5	0.26	4000	19.83	2.35	34.6	33
DFM6015S				0.20	3500	17.58	1.85	30.7	
DFL6015S				0.14	3000	14.67	1.27	28.5	
DFH6015B	Ball			0.26	4000	19.83	2.35	34.6	
DFM6015B				0.20	3500	17.58	1.85	30.7	
DFL6015B				0.14	3000	14.67	1.27	28.5	
DFH6015S	Sleeve	12	10.8 ~ 13.2	0.15	4000	19.83	2.35	34.6	
DFM6015S				0.13	3500	17.58	1.85	30.7	
DFL6015S				0.11	3000	14.67	1.27	28.5	
DFH6015B	Ball			0.15	4000	19.83	2.35	34.6	
DFM6015B				0.13	3500	17.58	1.85	30.7	
DFL6015B				0.11	3000	14.67	1.27	28.5	

Notes: 1. The parameters listed above are for reference. 2. Individual specification will be according to approval sheet provided or customers requirement.

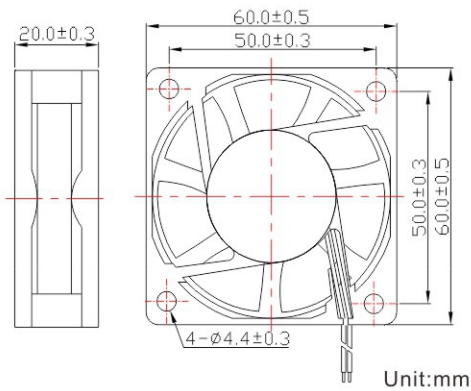
6020



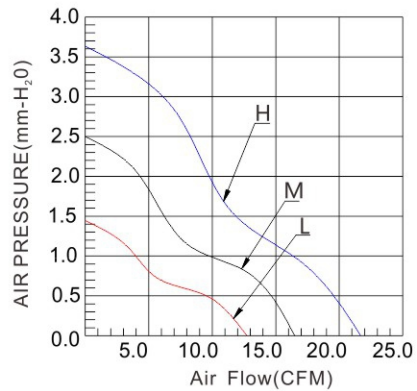
General Specifications (一般规格)

- ◆ Material:
Frame And Impeller: Thermal Plastic UL 94-0
- ◆ Lead Wires: UL Type
RED Wire Positive(+)
Black Wire Negative(-)
- ◆ Insulation Resistance: 10MΩ Or Over With a DC250V Megger
- ◆ Dielectric Withstand Voltage: AC500V 1S
- ◆ Allowable Ambient Temperature Range:
-10°C ~ +70°C(Operating)
-40°C ~ +70°C(Storage)

Dimensions Drawing(外观图)



Characteristic Curves (特性曲线)



Specifications/规格

型号 Model	轴承类型 Bearing Type	电压 Rated Voltage	电压范围 Operation Voltage	电流 Current	转速 Speed	风量 Air Flow	风压 Static Pressure	噪音 Noise Level	重量 Weight
		VDC	VDC	A	RPM	CFM	mmH ₂ O	dBA	g
DFH6020S	Sleeve	12	10.8 ~ 13.2	0.15	4000	20.28	3.65	29.0	49
DFM6020S				0.10	3300	16.50	2.50	23.9	
DFL6020S				0.07	2500	12.31	1.45	21.4	
DFH6020B	Ball			0.15	4000	20.28	3.65	29.0	
DFM6020B				0.10	3300	16.50	2.50	23.9	
DFL6020B				0.07	2500	12.31	1.45	21.4	
DFH6020S	Sleeve	24	21.6 ~ 26.4	0.12	4000	20.28	3.65	29.0	
DFM6020S				0.08	3300	16.50	2.50	23.9	
DFL6020S				0.05	2500	12.31	1.45	21.4	
DFH6020B	Ball			0.12	4000	20.28	3.65	29.0	
DFM6020B				0.08	3300	16.50	2.50	23.9	
DFL6020B				0.05	2500	12.31	1.45	21.4	

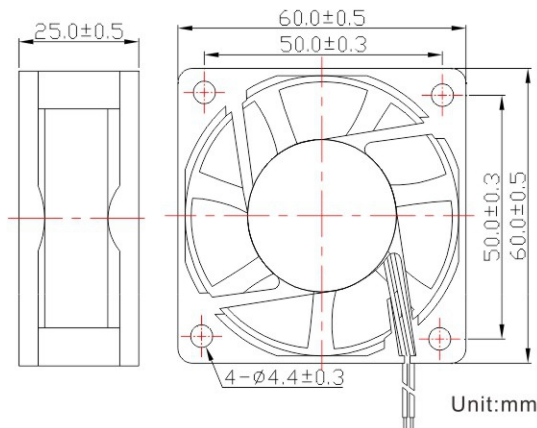
6025



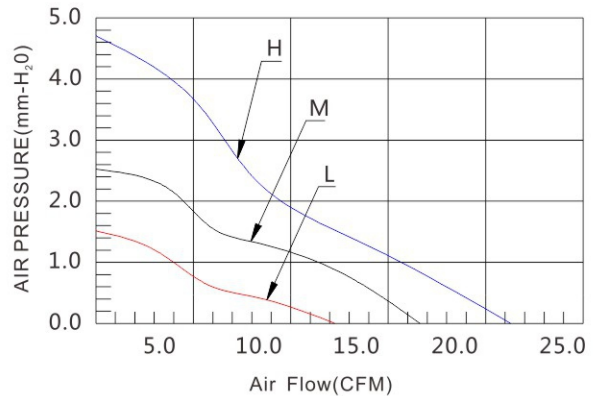
General Specifications (一般规格)

- ◆ Material:
Frame And Impeller: Thermal Plastic UL 94-0
- ◆ Lead Wires: UL Type
RED Wire Positive(+)
Black Wire Negative(-)
- ◆ Insulation Resistance: 10MΩ Or Over With a DC250V Megger
- ◆ Dielectric Withstand Voltage: AC500V 1S
- ◆ Allowable Ambient Temperature Range:
-10°C ~ +70°C (Operating)
-40°C ~ +70°C (Storage)

Dimensions Drawing (外观图)



Characteristic Curves (特性曲线)



Specifications/规格

型号 Model	轴承类型 Bearing Type	电压 Rated Voltage	电压范围 Operation Voltage	电流 Current	转速 Speed	风量 Air Flow	风压 Static Pressure	噪音 Noise Level	重量 Weight
		VDC	VDC	A	RPM	CFM	mmH ₂ O	dBA	g
DFH6025S	Sleeve	12	10.8 ~ 13.2	0.14	4000	21.08	4.70	29.3	60
DFM6025S				0.11	3300	17.41	2.56	24.6	
DFL6025S				0.08	2500	13.21	1.15	21.1	
DFH6025B	Ball			0.14	4000	21.08	4.70	29.3	
DFM6025B				0.11	3300	17.41	2.56	24.6	
DFL6025B				0.08	2500	13.21	1.15	21.1	
DFH6025S	Sleeve	24	21.6 ~ 26.4	0.10	4000	21.08	4.70	29.3	
DFM6025S				0.08	3300	17.41	2.56	24.6	
DFL6025S				0.06	2500	13.21	1.15	21.1	
DFH6025B	Ball			0.10	4000	21.08	4.70	29.3	
DFM6025B				0.08	3300	17.41	2.56	24.6	
DFL6025B				0.06	2500	13.21	1.15	21.1	

Notes: 1. The parameters listed above are for reference. 2. Individual specification will be according to approval sheet provided or customers requirement.

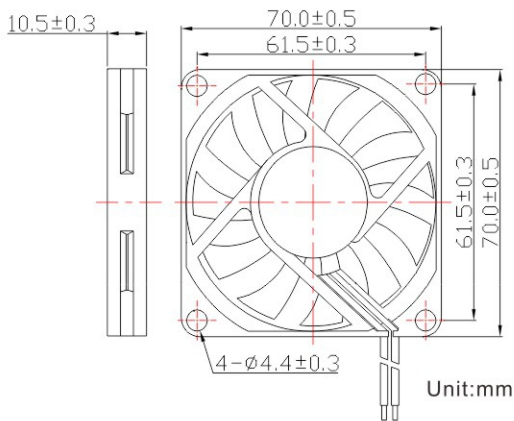
7010



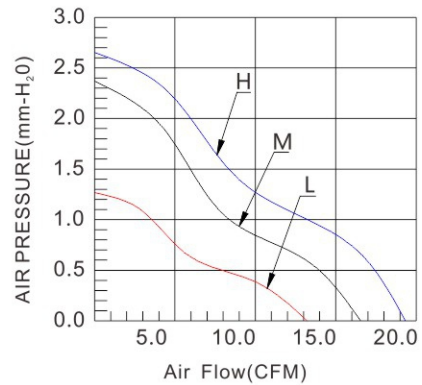
General Specifications (一般规格)

- ◆ Material:
Frame And Impeller: Thermal Plastic UL 94-0
- ◆ Lead Wires: UL Type
RED Wire Positive(+)
Black Wire Negative(-)
- ◆ Insulation Resistance: 10MΩ Or Over With a DC250V Megger
- ◆ Dielectric Withstand Voltage: AC500V 1S
- ◆ Allowable Ambient Temperature Range:
-10°C ~ +70°C(Operating)
-40°C ~ +70°C(Storage)

Dimensions Drawing(外观图)



Characteristic Curves (特性曲线)



Specifications/规格

型号 Model	轴承类型 Bearing Type	电压 Rated Voltage	电压范围 Operation Voltage	电流 Current	转速 Speed	风量 Air Flow	风压 Static Pressure	噪音 Noise Level	重量 Weight
		VDC	VDC	A	RPM	CFM	mmH ₂ O	dBA	g
DFH7010S	Sleeve	12	10.8 ~ 13.2	0.21	3500	19.13	2.65	32.6	33
DFM7010S				0.14	3000	16.39	2.48	27.9	
DFL7010S				0.10	2500	13.31	1.28	23.9	
DFH7010B	Ball			0.21	3500	19.13	2.65	32.6	
DFM7010B				0.14	3000	16.39	2.48	27.9	
DFL7010B				0.10	2500	13.31	1.28	23.9	
DFH7010S	Sleeve	24	21.6 ~ 26.4	0.13	3500	19.13	2.65	32.6	
DFM7010S				0.11	3000	16.39	2.48	27.9	
DFL7010S				0.08	2500	13.31	1.28	23.9	
DFH7010B	Ball			0.13	3500	19.13	2.65	32.6	
DFM7010B				0.11	3000	16.39	2.48	27.9	
DFL7010B				0.08	2500	13.31	1.28	23.9	

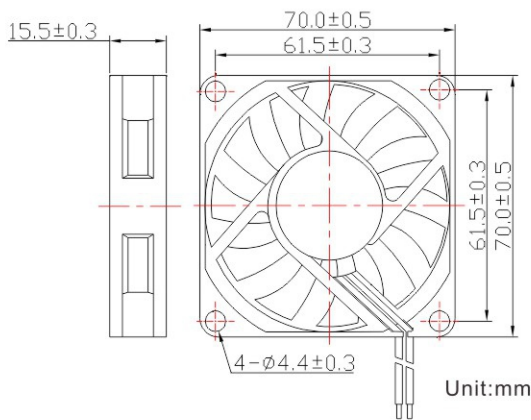
7015



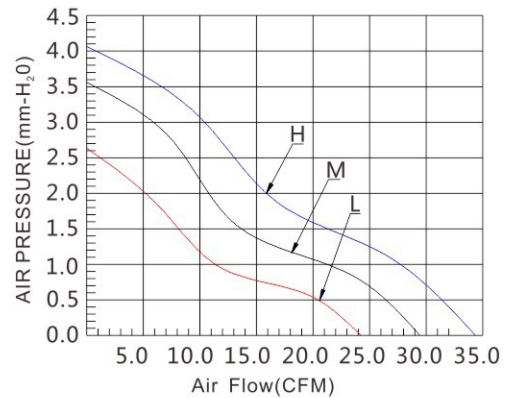
General Specifications (一般规格)

- ◆ Material:
Frame And Impeller: Thermal Plastic UL 94-0
- ◆ Lead Wires: UL Type
RED Wire Positive(+)
Black Wire Negative(-)
- ◆ Insulation Resistance: 10MΩ Or Over With a DC250V Megger
- ◆ Dielectric Withstand Voltage: AC500V 1S
- ◆ Allowable Ambient Temperature Range:
-10°C ~ +70°C (Operating)
-40°C ~ +70°C (Storage)

Dimensions Drawing (外观图)



Characteristic Curves (特性曲线)



Specifications/规格

型号 Model	轴承类型 Bearing Type	电压 Rated Voltage	电压范围 Operation Voltage	电流 Current	转速 Speed	风量 Air Flow	风压 Static Pressure	噪音 Noise Level	重量 Weight
		VDC	VDC	A	RPM	CFM	mmH ₂ O	dBA	g
DFH7015S	Sleeve	12	10.8 ~ 13.2	0.30	4000	34.18	4.03	34.2	48
DFM7015S				0.25	3600	29.40	3.53	31.1	
DFL7015S				0.20	3000	24.42	2.62	27.2	
DFH7015B	Ball			0.30	4000	34.18	4.03	34.2	
DFM7015B				0.25	3600	29.40	3.53	31.1	
DFL7015B				0.20	3000	24.42	2.62	27.2	
DFH7015S	Sleeve	24	21.6 ~ 26.4	0.14	4000	34.18	4.03	34.2	
DFM7015S				0.11	3600	29.40	3.53	31.1	
DFL7015S				0.08	3000	24.42	2.62	27.2	
DFH7015B	Ball			0.14	4000	34.18	4.03	34.2	
DFM7015B				0.11	3600	29.40	3.53	31.1	
DFL7015B				0.08	3000	24.42	2.62	27.2	

Notes: 1. The parameters listed above are for reference. 2. Individual specification will be according to approval sheet provided or customers requirement.

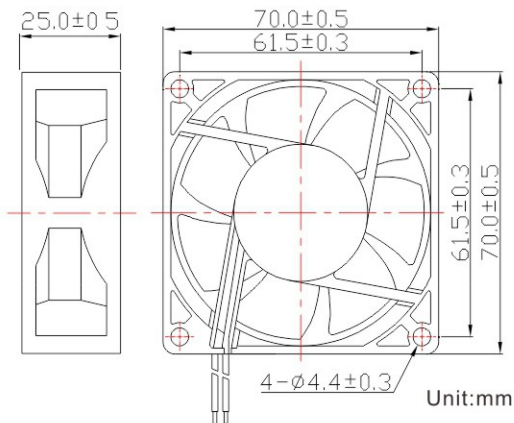
7025



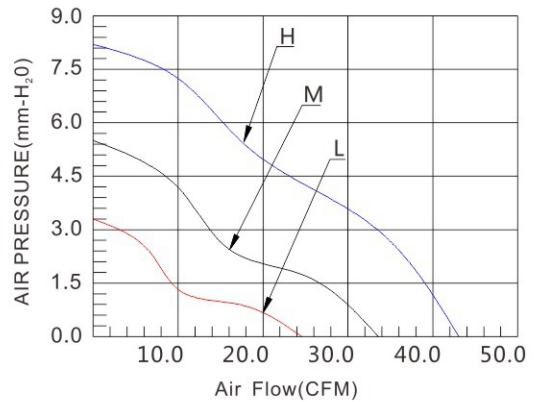
General Specifications (一般规格)

- ◆ Material:
Frame And Impeller: Thermal Plastic UL 94-0
- ◆ Lead Wires: UL Type
RED Wire Positive(+)
Black Wire Negative(-)
- ◆ Insulation Resistance: 10MΩ Or Over With a DC250V Megger
- ◆ Dielectric Withstand Voltage: AC500V 1S
- ◆ Allowable Ambient Temperature Range:
-10°C ~ +70°C(Operating)
-40°C ~ +70°C(Storage)

Dimensions Drawing(外观图)



Characteristic Curves (特性曲线)



Specifications/规格

型号 Model	轴承类型 Bearing Type	电压 Rated Voltage	电压范围 Operation Voltage	电流 Current	转速 Speed	风量 Air Flow	风压 Static Pressure	噪音 Noise Level	重量 Weight
		VDC	VDC	A	RPM	CFM	mmH ₂ O	dBA	g
DFH7025S	Sleeve	12	10.8 ~ 13.2	0.30	4000	40.32	7.71	36.9	63
DFM7025S				0.20	3400	31.53	4.95	29.5	
DFL7025S				0.15	3000	23.72	3.10	24.8	
DFH7025B	Ball			0.30	4000	40.32	7.71	36.9	
DFM7025B				0.20	3400	31.53	4.95	29.5	
DFL7025B				0.15	3000	23.72	3.10	24.8	
DFH7025S	Sleeve	24	21.6 ~ 26.4	0.20	4000	40.32	7.71	36.9	
DFM7025S				0.11	3400	31.53	4.95	29.5	
DFL7025S				0.08	3000	23.72	3.10	24.8	
DFH7025B	Ball			0.20	4000	40.32	7.71	36.9	
DFM7025B				0.11	3400	31.53	4.95	29.5	
DFL7025B				0.08	3000	23.72	3.10	24.8	

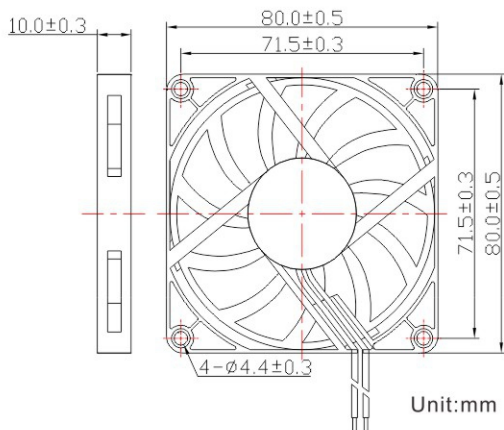
8010



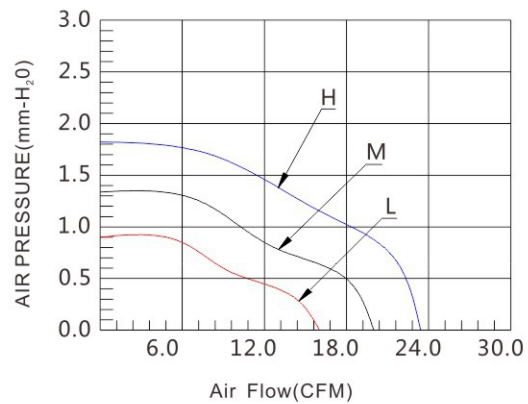
General Specifications (一般规格)

- ◆ Material:
Frame And Impeller: Thermal Plastic UL 94-0
- ◆ Lead Wires: UL Type
RED Wire Positive(+)
Black Wire Negative(-)
- ◆ Insulation Resistance: 10MΩ Or Over With a DC250V Megger
- ◆ Dielectric Withstand Voltage: AC500V 1S
- ◆ Allowable Ambient Temperature Range:
-10°C ~ +70°C (Operating)
-40°C ~ +70°C (Storage)

Dimensions Drawing (外观图)



Characteristic Curves (特性曲线)



Specifications/规格

型号 Model	轴承类型 Bearing Type	电压 Rated Voltage	电压范围 Operation Voltage	电流 Current	转速 Speed	风量 Air Flow	风压 Static Pressure	噪音 Noise Level	重量 Weight
		VDC	VDC	A	RPM	CFM	mmH ₂ O	dBA	g
DFH8010S	Sleeve	5	4.5 ~ 5.5	0.35	3000	23.45	1.81	30.8	43
DFM8010S				0.25	2500	19.68	1.31	26.3	
DFL8010S				0.17	2000	15.58	0.90	22.1	
DFH8010B	Ball			0.35	3000	23.45	1.81	30.8	
DFM8010B				0.25	2500	19.68	1.31	26.3	
DFL8010B				0.17	2000	15.58	0.90	22.1	
DFH8010S	Sleeve	12	10.8 ~ 13.2	0.24	3000	23.45	1.81	30.8	
DFM8010S				0.18	2500	19.68	1.31	26.3	
DFL8010S				0.12	2000	15.58	0.90	22.1	
DFH8010B	Ball			0.24	3000	23.45	1.81	30.8	
DFM8010B				0.18	2500	19.68	1.31	26.3	
DFL8010B				0.12	2000	15.58	0.90	22.1	

Notes: 1. The parameters listed above are for reference. 2. Individual specification will be according to approval sheet provided or customers requirement.

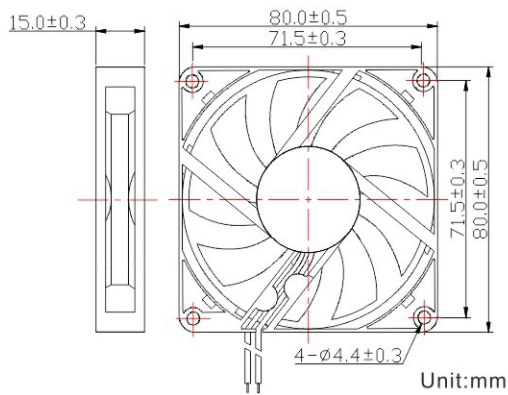
8015



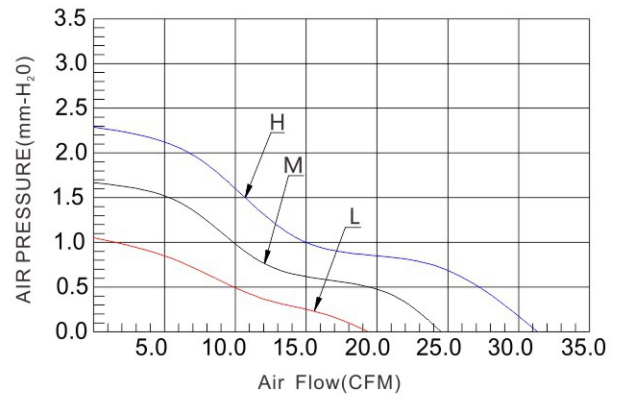
General Specifications (一般规格)

- ◆ Material:
Frame And Impeller: Thermal Plastic UL 94-0
- ◆ Lead Wires: UL Type
RED Wire Positive(+)
Black Wire Negative(-)
- ◆ Insulation Resistance: 10MΩ Or Over With a DC250V Megger
- ◆ Dielectric Withstand Voltage: AC500V 1S
- ◆ Allowable Ambient Temperature Range:
-10°C ~ +70°C(Operating)
-40°C ~ +70°C(Storage)

Dimensions Drawing(外观图)



Characteristic Curves (特性曲线)



Specifications/规格

型号 Model	轴承类型 Bearing Type	电压 Rated Voltage	电压范围 Operation Voltage	电流 Current	转速 Speed	风量 Air Flow	风压 Static Pressure	噪音 Noise Level	重量 Weight
		VDC	VDC	A	RPM	CFM	mmH ₂ O	dBA	g
DFH8015S	Sleeve	12	10.8 ~ 13.2	0.17	3000	30.16	2.38	34.6	58
DFM8015S				0.12	2500	24.89	1.69	29.8	
DFL8015S				0.08	2000	18.99	1.03	24.2	
DFH8015B	Ball			0.17	3000	30.16	2.38	34.6	
DFM8015B				0.12	2500	24.89	1.69	29.8	
DFL8015B				0.08	2000	18.99	1.03	24.2	
DFH8015S	Sleeve	24	21.6 ~ 26.4	0.11	3000	30.16	2.38	34.6	
DFM8015S				0.08	2500	24.89	1.69	29.8	
DFL8015S				0.05	2000	18.99	1.03	24.2	
DFH8015B	Ball			0.11	3000	30.16	2.38	34.6	
DFM8015B				0.08	2500	24.89	1.69	29.8	
DFL8015B				0.05	2000	18.99	1.03	24.2	

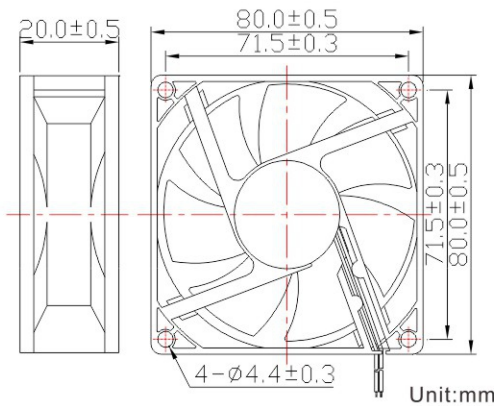
8020



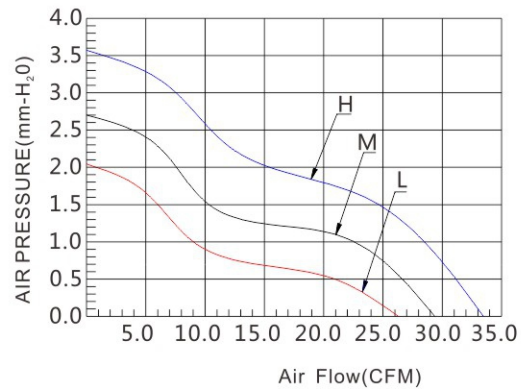
General Specifications (一般规格)

- ◆ Material:
Frame And Impeller: Thermal Plastic UL 94-0
- ◆ Lead Wires: UL Type
RED Wire Positive (+)
Black Wire Negative (-)
- ◆ Insulation Resistance: 10MΩ Or Over With a DC250V Megger
- ◆ Dielectric Withstand Voltage: AC500V 1S
- ◆ Allowable Ambient Temperature Range:
-10°C ~ +70°C (Operating)
-40°C ~ +70°C (Storage)

Dimensions Drawing (外观图)



Characteristic Curves (特性曲线)



Specifications/规格

型号 Model	轴承类型 Bearing Type	电压 Rated Voltage	电压范围 Operation Voltage	电流 Current	转速 Speed	风量 Air Flow	风压 Static Pressure	噪音 Noise Level	重量 Weight
		VDC	VDC	A	RPM	CFM	mmH ₂ O	dBA	g
DFH8020S	Sleeve	12	10.8 ~ 13.2	0.20	3200	33.95	3.55	30.7	70
DFM8020S				0.15	2800	29.29	2.70	26.9	
DFL8020S				0.10	2400	25.15	2.03	23.2	
DFH8020B	Ball			0.20	3200	33.95	3.55	30.7	
DFM8020B				0.15	2800	29.29	2.70	26.9	
DFL8020B				0.10	2400	25.15	2.03	23.2	
DFH8020S	Sleeve	24	21.6 ~ 26.4	0.11	3200	33.95	3.55	30.7	
DFM8020S				0.09	2800	29.29	2.70	26.9	
DFL8020S				0.07	2400	25.15	2.03	23.2	
DFH8020B	Ball			0.11	3200	33.95	3.55	30.7	
DFM8020B				0.09	2800	29.29	2.70	26.9	
DFL8020B				0.07	2400	25.15	2.03	23.2	

Notes: 1. The parameters listed above are for reference. 2. Individual specification will be according to approval sheet provided or customers requirement.

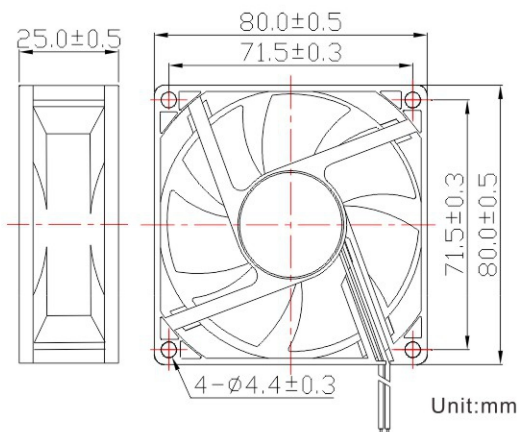
8025-A



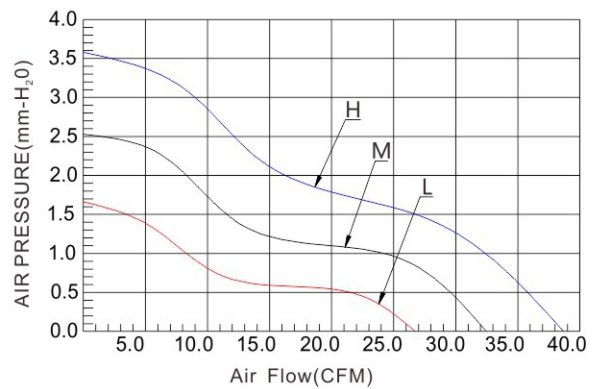
General Specifications (一般规格)

- ◆ Material:
Frame And Impeller: Thermal Plastic UL 94-0
- ◆ Lead Wires: UL Type
RED Wire Positive(+)
Black Wire Negative(-)
- ◆ Insulation Resistance: 10MΩ Or Over With a DC250V Megger
- ◆ Dielectric Withstand Voltage: AC500V 1S
- ◆ Allowable Ambient Temperature Range:
-10°C ~ +70°C (Operating)
-40°C ~ +70°C (Storage)

Dimensions Drawing (外观图)



Characteristic Curves (特性曲线)



Specifications/规格

型号 Model	轴承类型 Bearing Type	电压 Rated Voltage	电压范围 Operation Voltage	电流 Current	转速 Speed	风量 Air Flow	风压 Static Pressure	噪音 Noise Level	重量 Weight
		VDC	VDC	A	RPM	CFM	mmH ₂ O	dBA	g
DFH8025S	Sleeve	12	10.8 ~ 13.2	0.17	3000	38.88	3.54	32.3	75
DFM8025S				0.11	2500	32.37	2.52	27.9	
DFL8025S				0.08	2000	25.64	1.64	22.1	
DFH8025B	Ball			0.17	3000	38.88	3.54	32.3	
DFM8025B				0.11	2500	32.37	2.52	27.9	
DFL8025B				0.08	2000	25.64	1.64	22.1	
DFH8025S	Sleeve	24	21.6 ~ 26.4	0.15	3000	38.88	3.54	32.3	
DFM8025S				0.10	2500	32.37	2.52	27.9	
DFL8025S				0.07	2000	25.64	1.64	22.1	
DFH8025B	Ball			0.15	3000	38.88	3.54	32.3	
DFM8025B				0.10	2500	32.37	2.52	27.9	
DFL8025B				0.07	2000	25.64	1.64	22.1	

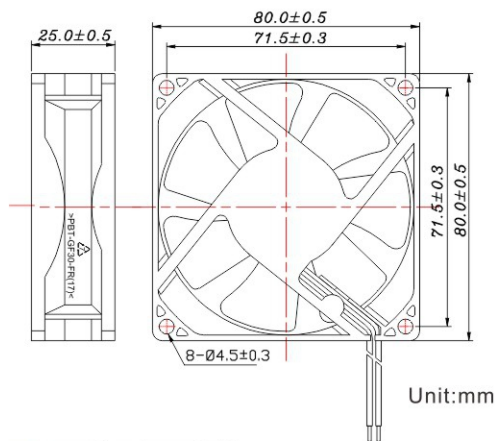
8025-B



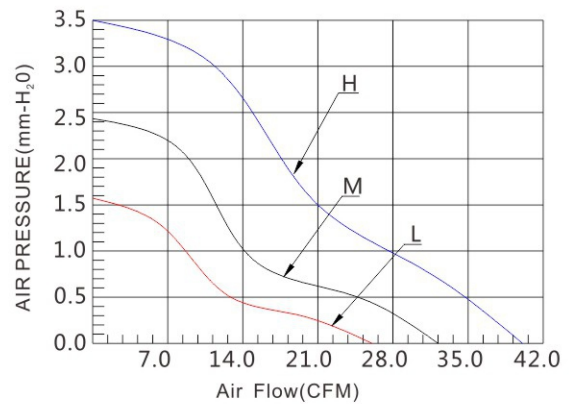
General Specifications (一般规格)

- ◆ Material:
Frame And Impeller: Thermal Plastic UL 94-0
- ◆ Lead Wires: UL Type
RED Wire Positive(+)
Black Wire Negative(-)
- ◆ Insulation Resistance: 10MΩ Or Over With a DC250V Megger
- ◆ Dielectric Withstand Voltage: AC500V 1S
- ◆ Allowable Ambient Temperature Range:
-10°C ~ +70°C (Operating)
-40°C ~ +70°C (Storage)

Dimensions Drawing (外观图)



Characteristic Curves (特性曲线)



Specifications/规格

型号 Model	轴承类型 Bearing Type	电压 Rated Voltage	电压范围 Operation Voltage	电流 Current	转速 Speed	风量 Air Flow	风压 Static Pressure	噪音 Noise Level	重量 Weight
		VDC	VDC	A	RPM	CFM	mmH ₂ O	dBA	g
DFH8025S	Sleeve	12	10.8 ~ 13.2	0.17	3000	40.25	3.50	32.5	80
DFM8025S				0.11	2500	33.54	2.43	27.5	
DFL8025S				0.08	2000	26.83	1.56	22.7	
DFH8025B	Ball			0.17	3000	40.25	3.50	32.5	
DFM8025B				0.11	2500	33.54	2.43	27.5	
DFL8025B				0.08	2000	26.83	1.56	22.7	
DFH8025S	Sleeve	24	21.6 ~ 26.4	0.15	3000	40.25	3.50	32.5	
DFM8025S				0.10	2500	33.54	2.43	27.5	
DFL8025S				0.07	2000	26.83	1.56	22.7	
DFH8025B	Ball			0.15	3000	40.25	3.50	32.5	
DFM8025B				0.10	2500	33.54	2.43	27.5	
DFL8025B				0.07	2000	26.83	1.56	22.7	

Notes: 1. The parameters listed above are for reference. 2. Individual specification will be according to approval sheet provided or customers requirement.

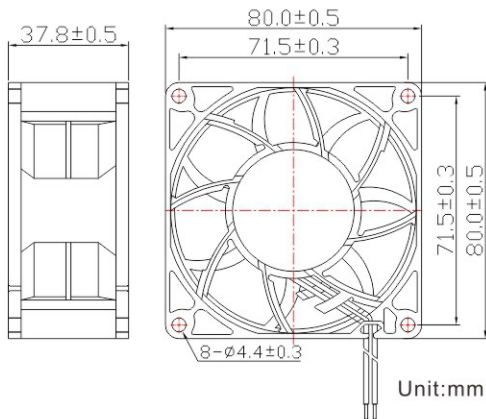
8038



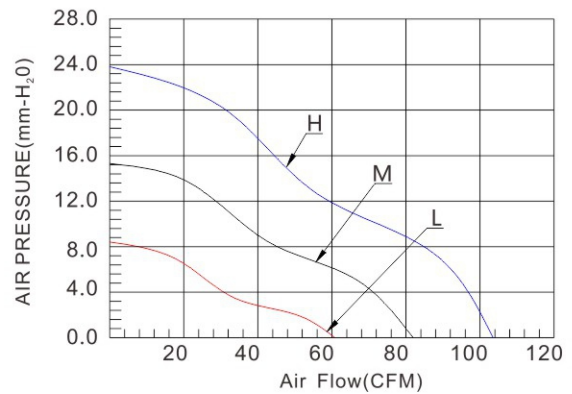
General Specifications (一般规格)

- ◆ Material:
Frame And Impeller: Thermal Plastic UL 94-0
- ◆ Lead Wires: UL Type
RED Wire Positive(+)
Black Wire Negative(-)
- ◆ Insulation Resistance: 10MΩ Or Over With a DC250V Megger
- ◆ Dielectric Withstand Voltage: AC500V 1S
- ◆ Allowable Ambient Temperature Range:
-10°C ~ +70°C(Operating)
-40°C ~ +70°C(Storage)

Dimensions Drawing(外观图)



Characteristic Curves (特性曲线)



Specifications/规格

型号 Model	轴承类型 Bearing Type	电压 Rated Voltage	电压范围 Operation Voltage	电流 Current	转速 Speed	风量 Air Flow	风压 Static Pressure	噪音 Noise Level	重量 Weight
		VDC	VDC	A	RPM	CFM	mmH ₂ O	dBA	g
DFH8038S	Sleeve	12	10.8 ~ 13.2	1.30	7500	103.43	23.76	56.1	88
DFM8038S				0.85	6000	82.74	15.21	51.3	
DFL8038S				0.45	4500	62.06	8.56	45.0	
DFH8038B	Ball			1.30	7500	103.43	23.76	56.1	
DFM8038B				0.85	6000	82.74	15.21	51.3	
DFL8038B				0.45	4500	62.06	8.56	45.0	
DFH8038S	Sleeve	24	21.6 ~ 26.4	0.70	7500	103.43	23.76	56.1	
DFM8038S				0.55	6000	82.74	15.21	51.3	
DFL8038S				0.30	4500	62.06	8.56	45.0	
DFH8038B	Ball			0.70	7500	103.43	23.76	56.1	
DFM8038B				0.55	6000	82.74	15.21	51.3	
DFL8038B				0.30	4500	62.06	8.56	45.0	

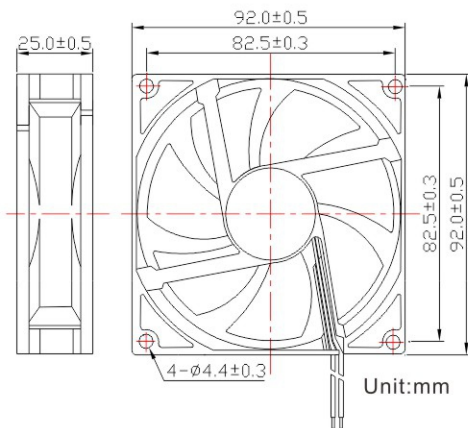
9025-A



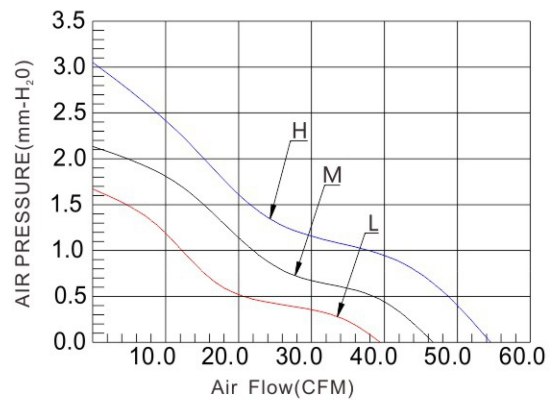
General Specifications (一般规格)

- ◆ Material:
Frame And Impeller: Thermal Plastic UL 94-0
- ◆ Lead Wires: UL Type
RED Wire Positive(+)
Black Wire Negative(-)
- ◆ Insulation Resistance: 10MΩ Or Over With a DC250V Megger
- ◆ Dielectric Withstand Voltage: AC500V 1S
- ◆ Allowable Ambient Temperature Range:
-10°C ~ +70°C (Operating)
-40°C ~ +70°C (Storage)

Dimensions Drawing (外观图)



Characteristic Curves (特性曲线)



Specifications/规格

型号 Model	轴承类型 Bearing Type	电压 Rated Voltage	电压范围 Operation Voltage	电流 Current	转速 Speed	风量 Air Flow	风压 Static Pressure	噪音 Noise Level	重量 Weight
		VDC	VDC	A	RPM	CFM	mmH ₂ O	dBA	g
DFH9025S	Sleeve	12	10.8 ~ 13.2	0.25	2800	54.73	3.04	32.8	85
DFM9025S				0.20	2500	46.46	2.11	28.6	
DFL9025S				0.16	2000	39.87	1.67	25.9	
DFH9025B	Ball			0.25	2800	54.73	3.04	32.8	
DFM9025B				0.20	2500	46.46	2.11	28.6	
DFL9025B				0.16	2000	39.87	1.67	25.9	
DFH9025S	Sleeve	24	21.6 ~ 26.4	0.15	2800	54.73	3.04	32.8	
DFM9025S				0.10	2500	46.46	2.11	28.6	
DFL9025S				0.07	2000	39.87	1.67	25.9	
DFH9025B	Ball			0.15	2800	54.73	3.04	32.8	
DFM9025B				0.10	2500	46.46	2.11	28.6	
DFL9025B				0.07	2000	39.87	1.67	25.9	

Notes: 1. The parameters listed above are for reference. 2. Individual specification will be according to approval sheet provided or customers requirement.

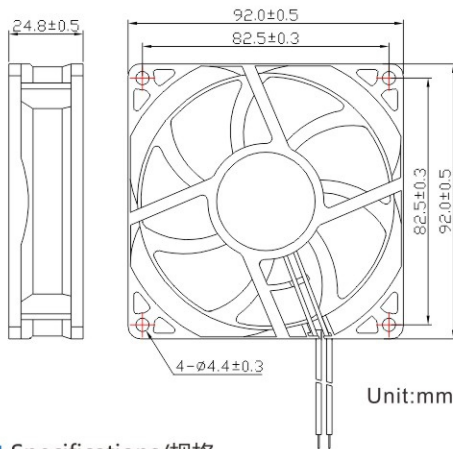
9025-B



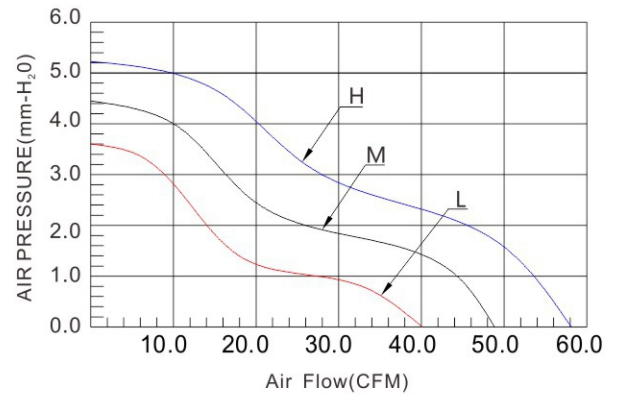
General Specifications (一般规格)

- ◆ Material:
Frame And Impeller: Thermal Plastic UL 94-0
- ◆ Lead Wires: UL Type
RED Wire Positive(+)
Black Wire Negative(-)
- ◆ Insulation Resistance: 10MΩ Or Over With a DC250V Megger
- ◆ Dielectric Withstand Voltage: AC500V 1S
- ◆ Allowable Ambient Temperature Range:
-10°C ~ +70°C (Operating)
-40°C ~ +70°C (Storage)

Dimensions Drawing (外观图)



Characteristic Curves (特性曲线)



Specifications/规格

型号 Model	轴承类型 Bearing Type	电压 Rated Voltage	电压范围 Operation Voltage	电流 Current	转速 Speed	风量 Air Flow	风压 Static Pressure	噪音 Noise Level	重量 Weight
		VDC	VDC	A	RPM	CFM	mmH ₂ O	dBA	g
DFH9025S	Hydraulic	12	10.8 ~ 13.2	0.25	2800	58.32	5.24	31.7	85
DFM9025S				0.20	2500	49.20	4.42	27.2	
DFL9025S				0.16	2000	40.10	3.60	23.7	
DFH9025B	Ball			0.25	2800	58.32	5.24	31.7	
DFM9025B				0.20	2500	49.20	4.42	27.2	
DFL9025B				0.16	2000	40.10	3.60	23.7	
DFH9025S	Hydraulic	24	21.6 ~ 26.4	0.15	2800	58.32	5.24	31.7	
DFM9025S				0.10	2500	49.20	4.42	27.2	
DFL9025S				0.07	2000	40.10	3.60	23.7	
DFH9025B	Ball			0.15	2800	58.32	5.24	31.7	
DFM9025B				0.10	2500	49.20	4.42	27.2	
DFL9025B				0.07	2000	40.10	3.60	23.7	

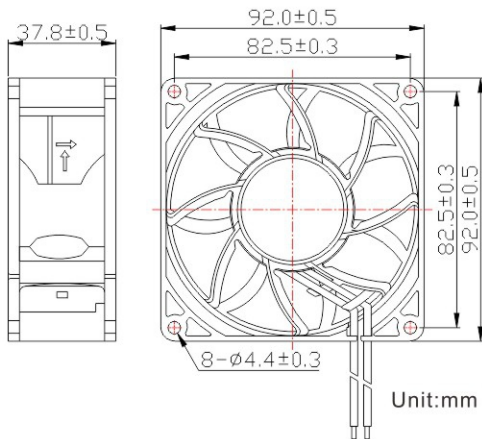
9238



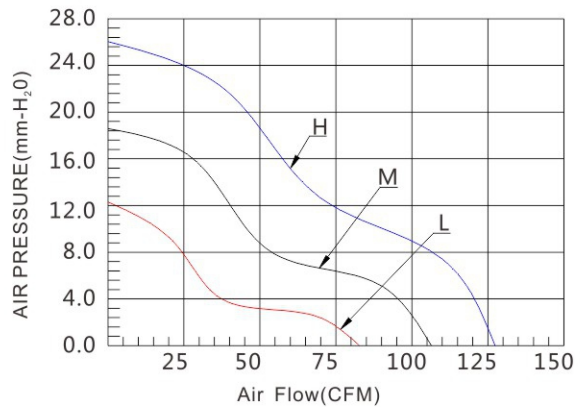
General Specifications (一般规格)

- ◆ Material:
Frame And Impeller: Thermal Plastic UL 94-0
- ◆ Lead Wires: UL Type
RED Wire Positive(+)
Black Wire Negative(-)
- ◆ Insulation Resistance: 10MΩ Or Over With a DC250V Megger
- ◆ Dielectric Withstand Voltage: AC500V 1S
- ◆ Allowable Ambient Temperature Range:
-10°C ~ +70°C (Operating)
-40°C ~ +70°C (Storage)

Dimensions Drawing (外观图)



Characteristic Curves (特性曲线)



Specifications/规格

型号 Model	轴承类型 Bearing Type	电压 Rated Voltage	电压范围 Operation Voltage	电流 Current	转速 Speed	风量 Air Flow	风压 Static Pressure	噪音 Noise Level	重量 Weight
		VDC	VDC	A	RPM	CFM	mmH ₂ O	dBA	g
DFH9238S	Sleeve	12	10.8 ~ 13.2	1.35	6500	127.13	26.6	59.8	200
DFM9238S				0.95	5500	107.57	18.66	56.2	
DFL9238S				0.75	4500	88.07	12.49	51.8	
DFH9238B	Ball			1.35	6500	127.13	26.6	59.8	
DFM9238B				0.95	5500	107.57	18.66	56.2	
DFL9238B				0.75	4500	88.07	12.49	51.8	
DFH9238S	Sleeve	24	21.6 ~ 26.4	0.65	6500	127.13	26.6	59.8	
DFM9238S				0.50	5500	107.57	18.66	56.2	
DFL9238S				0.35	4500	88.07	12.49	51.8	
DFH9238B	Ball			0.65	6500	127.13	26.6	59.8	
DFM9238B				0.50	5500	107.57	18.66	56.2	
DFL9238B				0.35	4500	88.07	12.49	51.8	

Notes: 1. The parameters listed above are for reference. 2. Individual specification will be according to approval sheet provided or customers requirement.

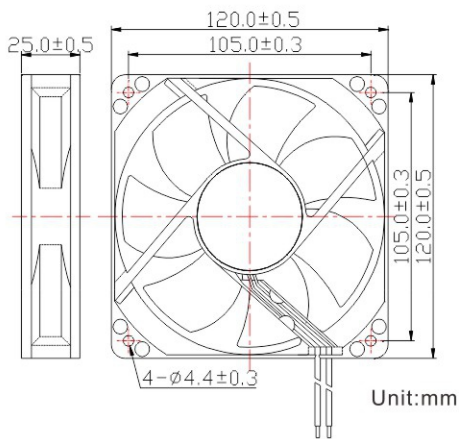
1225



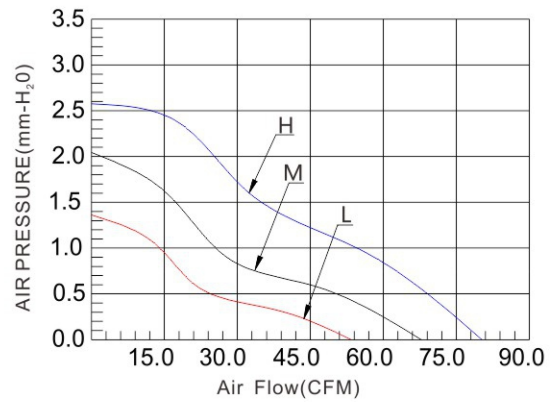
General Specifications (一般规格)

- ◆ Material:
Frame And Impeller: Thermal Plastic UL 94-0
- ◆ Lead Wires: UL Type
RED Wire Positive(+)
Black Wire Negative(-)
- ◆ Insulation Resistance: 10MΩ Or Over With a DC250V Megger
- ◆ Dielectric Withstand Voltage: AC500V 1S
- ◆ Allowable Ambient Temperature Range:
-10°C ~ +70°C(Operating)
-40°C ~ +70°C(Storage)

Dimensions Drawing(外观图)



Characteristic Curves (特性曲线)



Specifications/规格

型号 Model	轴承类型 Bearing Type	电压 Rated Voltage	电压范围 Operation Voltage	电流 Current	转速 Speed	风量 Air Flow	风压 Static Pressure	噪音 Noise Level	重量 Weight
		VDC	VDC	A	RPM	CFM	mmH ₂ O	dBA	g
DFH1225S	Sleeve	12	10.8 ~ 13.2	0.30	2000	79.75	2.57	32.5	148
DFM1225S				0.25	1700	66.05	2.01	28.0	
DFL1225S				0.20	1400	52.58	1.37	24.4	
DFH1225B	Ball			0.30	2000	79.75	2.57	32.5	
DFM1225B				0.25	1700	66.05	2.01	28.0	
DFL1225B				0.20	1400	52.58	1.37	24.4	
DFH1225S	Sleeve	24	21.6 ~ 26.4	0.23	2000	79.75	2.57	32.5	
DFM1225S				0.18	1700	66.05	2.01	28.0	
DFL1225S				0.13	1400	52.58	1.37	24.4	
DFH1225B	Ball			0.23	2000	79.75	2.57	32.5	
DFM1225B				0.18	1700	66.05	2.01	28.0	
DFL1225B				0.13	1400	52.58	1.37	24.4	

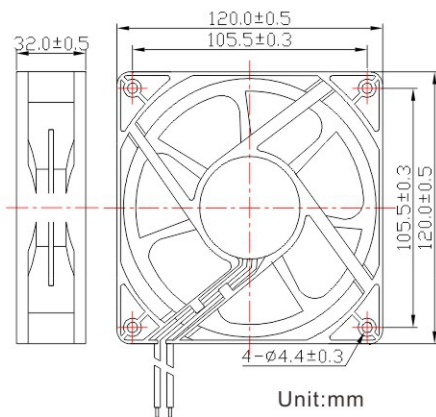
1232



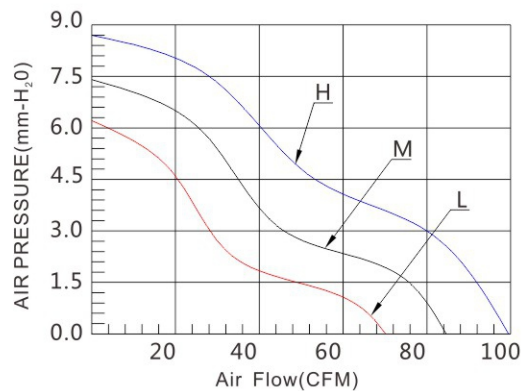
General Specifications (一般规格)

- ◆ Material:
Frame And Impeller: Thermal Plastic UL 94-0
- ◆ Lead Wires: UL Type
RED Wire Positive(+)
Black Wire Negative(-)
- ◆ Insulation Resistance: 10MΩ Or Over With a DC250V Megger
- ◆ Dielectric Withstand Voltage: AC500V 1S
- ◆ Allowable Ambient Temperature Range:
-10°C ~ +70°C (Operating)
-40°C ~ +70°C (Storage)

Dimensions Drawing (外观图)



Characteristic Curves (特性曲线)



Specifications/规格

型号 Model	轴承类型 Bearing Type	电压 Rated Voltage	电压范围 Operation Voltage	电流 Current	转速 Speed	风量 Air Flow	风压 Static Pressure	噪音 Noise Level	重量 Weight
		VDC	VDC	A	RPM	CFM	mmH ₂ O	dBA	g
DFH1232S	Sleeve	12	10.8 ~ 13.2	0.60	3500	99.00	8.7	52.1	230
DFM1232S				0.50	3000	84.86	7.46	44.7	
DFL1232S				0.32	2500	70.72	6.22	37.2	
DFH1232B	Ball			0.60	3500	99.00	8.7	52.1	
DFM1232B				0.50	3000	84.86	7.46	44.7	
DFL1232B				0.32	2500	70.72	6.22	37.2	
DFH1232S	Sleeve	24	21.6 ~ 26.4	0.40	3500	99.00	8.7	52.1	
DFM1232S				0.30	3000	84.86	7.46	44.7	
DFL1232S				0.20	2500	70.72	6.22	37.2	
DFH1232B	Ball			0.40	3500	99.00	8.7	52.1	
DFM1232B				0.30	3000	84.86	7.46	44.7	
DFL1232B				0.20	2500	70.72	6.22	37.2	

Notes: 1. The parameters listed above are for reference. 2. Individual specification will be according to approval sheet provided or customers requirement.

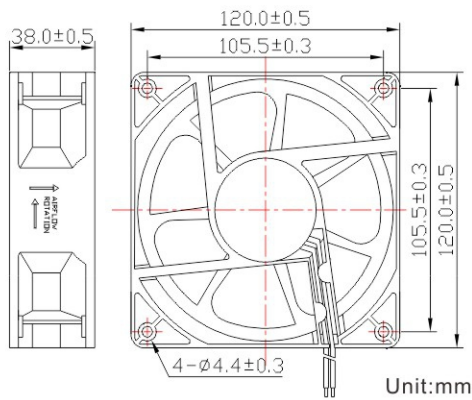
1238



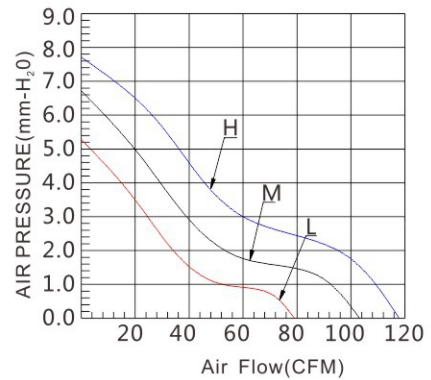
General Specifications (一般规格)

- ◆ Material:
Frame And Impeller: Thermal Plastic UL 94-0
- ◆ Lead Wires: UL Type
RED Wire Positive(+)
Black Wire Negative(-)
- ◆ Insulation Resistance: 10MΩ Or Over With a DC250V Megger
- ◆ Dielectric Withstand Voltage: AC500V 1S
- ◆ Allowable Ambient Temperature Range:
-10°C ~ +70°C(Operating)
-40°C ~ +70°C(Storage)

Dimensions Drawing(外观图)



Characteristic Curves (特性曲线)



Specifications/规格

型号 Model	轴承类型 Bearing Type	电压 Rated Voltage	电压范围 Operation Voltage	电流 Current	转速 Speed	风量 Air Flow	风压 Static Pressure	噪音 Noise Level	重量 Weight
		VDC	VDC	A	RPM	CFM	mmH ₂ O	dBA	g
DFH1238S	Sleeve	12	10.8 ~ 13.2	0.60	3000	119.49	7.81	44.5	265
DFM1238S				0.45	2700	107.54	6.66	41.5	
DFL1238S				0.30	2400	79.66	5.26	39.9	
DFH1238B	Ball			0.60	3000	119.49	7.81	44.5	
DFM1238B				0.45	2700	107.54	6.66	41.5	
DFL1238B				0.30	2400	79.66	5.26	39.9	
DFH1238S	Sleeve	24	21.6 ~ 26.4	0.40	3000	119.49	7.81	44.5	
DFM1238S				0.30	2700	107.54	6.66	41.5	
DFL1238S				0.20	2400	79.66	5.26	39.9	
DFH1238B	Ball			0.40	3000	119.49	7.81	44.5	
DFM1238B				0.30	2700	107.54	6.66	41.5	
DFL1238B				0.20	2400	79.66	5.26	39.9	

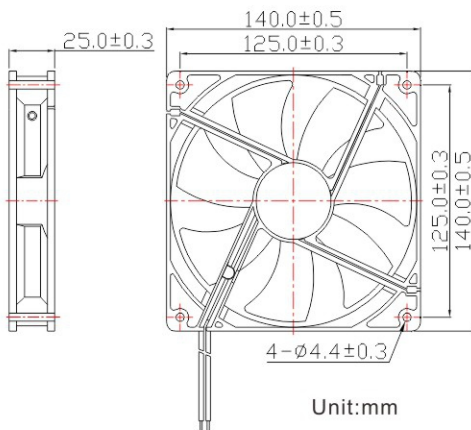
1425



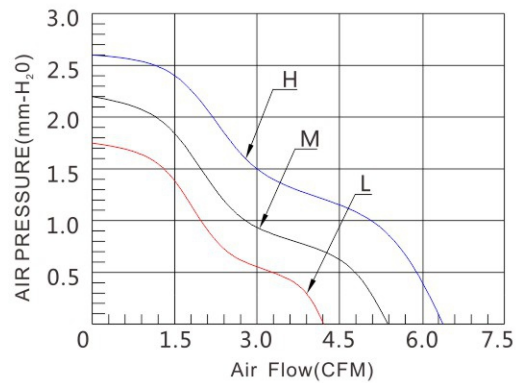
General Specifications (一般规格)

- ◆Material:
Frame And Impeller: Thermal Plastic UL 94-0
- ◆Lead Wires: UL Type
RED Wire Positive(+)
Black Wire Negative(-)
- ◆Insulation Resistance: 10MΩ Or Over With a DC250V Megger
- ◆Dielectric Withstand Voltage: AC500V 1S
- ◆Allowable Ambient Temperature Range:
-10°C ~ +70°C(Operating)
-40°C ~ +70°C(Storage)

Dimensions Drawing(外观图)



Characteristic Curves (特性曲线)



Specifications/规格

型号 Model	轴承类型 Bearing Type	电压 Rated Voltage	电压范围 Operation Voltage	电流 Current	转速 Speed	风量 Air Flow	风压 Static Pressure	噪音 Noise Level	重量 Weight
		VDC	VDC	A	RPM	CFM	mmH ₂ O	dBA	g
DFH1425S	Sleeve	12	10.8 ~ 13.2	0.30	1800	64.27	2.60	28.5	158
DFM1425S				0.20	1500	53.56	2.20	23.7	
DFL1425S				0.15	1200	42.85	1.73	18.9	
DFH1425B	Ball			0.30	1800	64.27	2.60	28.5	
DFM1425B				0.20	1500	53.56	2.20	23.7	
DFL1425B				0.15	1200	42.85	1.73	18.9	
DFH1425S	Sleeve	24	21.6 ~ 26.4	0.20	1800	64.27	2.60	28.5	
DFM1425S				0.15	1500	53.56	2.20	23.7	
DFL1425S				0.08	1200	42.85	1.73	18.9	
DFH1425B	Ball			0.20	1800	64.27	2.60	28.5	
DFM1425B				0.15	1500	53.56	2.20	23.7	
DFL1425B				0.08	1200	42.85	1.73	18.9	

Notes: 1. The parameters listed above are for reference. 2. Individual specification will be according to approval sheet provided or customers requirement.

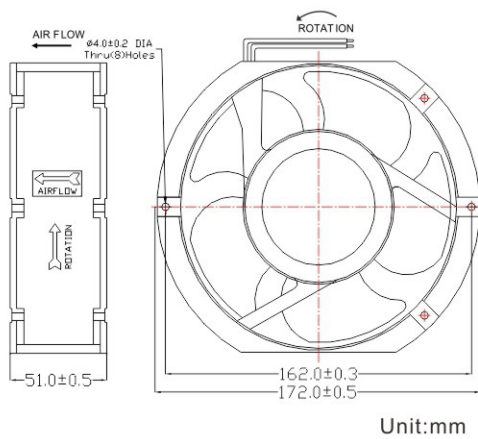
1751



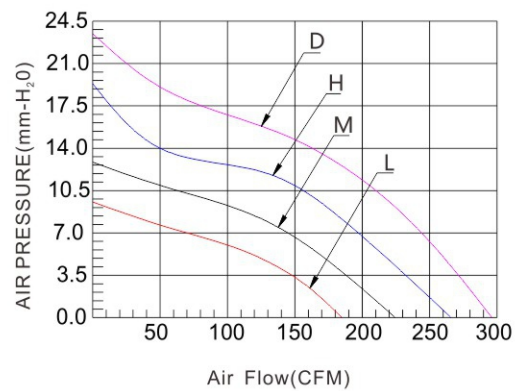
General Specifications (一般规格)

- ◆ Material:
Frame And Impeller: Thermal Plastic UL 94-0
- ◆ Lead Wires: UL Type
RED Wire Positive(+)
Black Wire Negative(-)
- ◆ Insulation Resistance: 10MΩ Or Over With a DC250V Megger
- ◆ Dielectric Withstand Voltage: AC500V 1S
- ◆ Allowable Ambient Temperature Range:
-10°C ~ +70°C (Operating)
-40°C ~ +70°C (Storage)

Dimensions Drawing (外观图)



Characteristic Curves (特性曲线)



Specifications/规格

型号 Model	轴承类型 Bearing Type	电压 Rated Voltage	电压范围 Operation Voltage	电流 Current	转速 Speed	风量 Air Flow	风压 Static Pressure	噪音 Noise Level	重量 Weight
		VDC	VDC	A	RPM	CFM	mmH ₂ O	dBA	g
DFD17051B	Ball	24	21.6 ~ 26.4	1.50	4000	296.00	24.04	74.4	760
DFH17051B				1.00	3600	266.00	19.48	67.0	
DFM17051B				0.60	3000	222.00	13.54	55.8	
DFL17051B				0.40	2500	185.00	9.40	46.5	
DFD17051B		48	43.2 ~ 52.8	0.80	4000	296.00	24.04	74.4	
DFH17051B				0.60	3600	266.00	19.48	67.0	
DFM17051B				0.35	3000	222.00	13.54	55.8	
DFL17051B				0.25	2500	185.00	9.40	46.5	

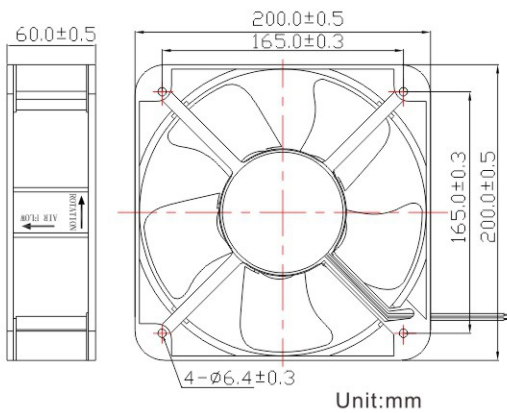
2060



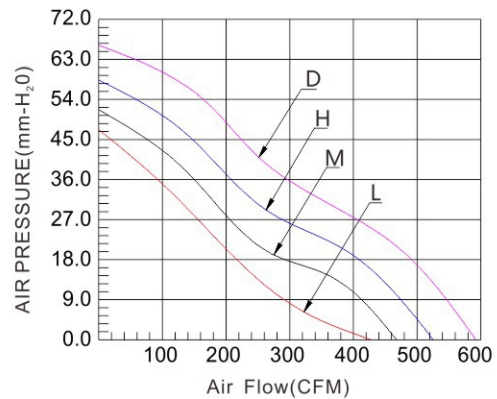
General Specifications (一般规格)

- ◆ Material:
Frame And Impeller: Thermal Plastic UL 94-0
- ◆ Lead Wires: UL Type
RED Wire Positive(+)
Black Wire Negative(-)
- ◆ Insulation Resistance: 10MΩ Or Over With a DC250V Megger
- ◆ Dielectric Withstand Voltage: AC500V 1S
- ◆ Allowable Ambient Temperature Range:
-10°C ~ +70°C (Operating)
-40°C ~ +70°C (Storage)

Dimensions Drawing (外观图)



Characteristic Curves (特性曲线)



Specifications/规格

型号 Model	轴承类型 Bearing Type	电压 Rated Voltage	电压范围 Operation Voltage	电流 Current	转数 Speed	风量 Air Flow	风压 Static Pressure	噪音 Noise Level	重量 Weight
		VDC	VDC	A	RPM	CFM	mmH ₂ O	dBA	g
DFD20060B	Ball	24	21.6 ~ 26.4	2.00	2800	595.00	65.00	74.4	1520
DFH20060B				1.50	2500	531.00	58.20	67.0	
DFM20060B				1.00	2200	467.00	51.50	55.8	
DFL20060B				0.70	2000	425.00	46.40	46.5	
DFD20060B		48	43.2 ~ 52.8	1.10	2800	595.00	65.00	74.4	
DFH20060B				0.80	2500	531.00	58.20	67.0	
DFM20060B				0.60	2200	467.00	51.50	55.8	
DFL20060B				0.40	2000	425.00	46.40	46.5	

Notes: 1. The parameters listed above are for reference. 2. Individual specification will be according to approval sheet provided or customers requirement.

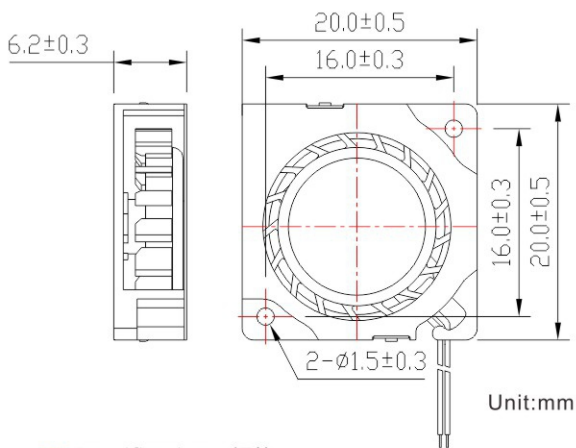
2006



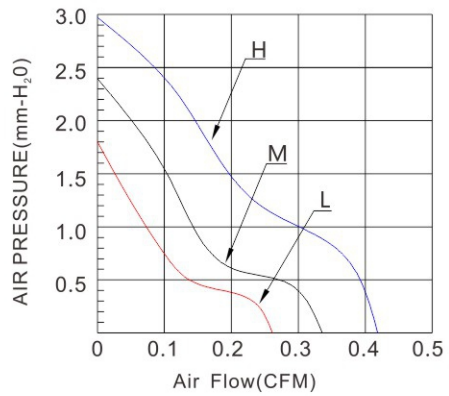
General Specifications (一般规格)

- ◆ Material:
Frame And Impeller: Thermal Plastic UL 94-0
- ◆ Lead Wires: UL Type
RED Wire Positive(+)
Black Wire Negative(-)
- ◆ Insulation Resistance: 10MΩ Or Over With a DC250V Megger
- ◆ Dielectric Withstand Voltage: AC500V 1S
- ◆ Allowable Ambient Temperature Range:
-10°C ~ +70°C(Operating)
-40°C ~ +70°C(Storage)

Dimensions Drawing(外观图)



Characteristic Curves (特性曲线)



Specifications/规格

型号 Model	轴承类型 Bearing Type	电压 Rated Voltage	电压范围 Operation Voltage	电流 Current	转速 Speed	风量 Air Flow	风压 Static Pressure	噪音 Noise Level	重量 Weight
		VDC	VDC	A	RPM	CFM	mmH ₂ O	dBA	g
DFH2006S	Hydraulic	5	4.5 ~ 5.5	0.16	15000	0.41	2.99	36.0	4
DFM2006S				0.12	12000	0.33	2.39	28.8	
DFL2006S				0.08	9000	0.25	1.79	21.6	

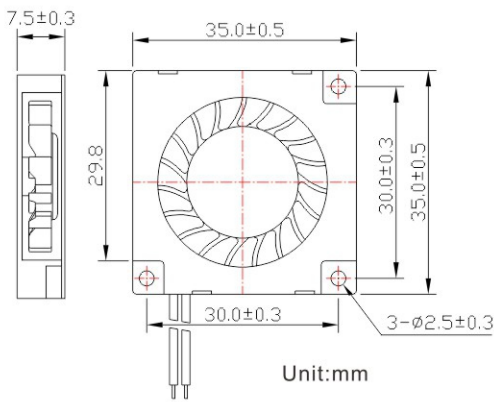
3507



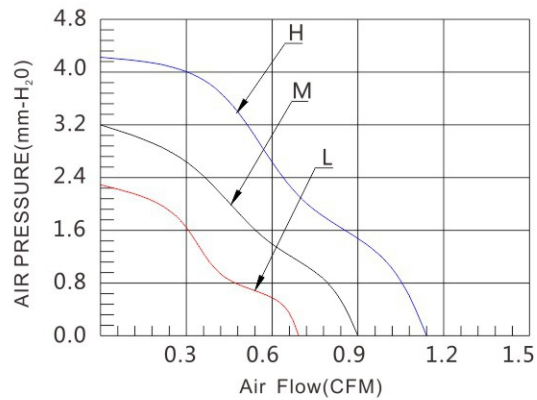
General Specifications (一般规格)

- ◆ Material:
Frame And Impeller: Thermal Plastic UL 94-0
- ◆ Lead Wires: UL Type
RED Wire Positive(+)
Black Wire Negative(-)
- ◆ Insulation Resistance: 10MΩ Or Over With a DC250V Megger
- ◆ Dielectric Withstand Voltage: AC500V 1S
- ◆ Allowable Ambient Temperature Range:
-10°C ~ +70°C (Operating)
-40°C ~ +70°C (Storage)

Dimensions Drawing (外观图)



Characteristic Curves (特性曲线)



Specifications/规格

型号 Model	轴承类型 Bearing Type	电压 Rated Voltage	电压范围 Operation Voltage	电流 Current	转速 Speed	风量 Air Flow	风压 Static Pressure	噪音 Noise Level	重量 Weight
		VDC	VDC	A	RPM	CFM	mmH ₂ O	dBA	g
DFH3507S	Hydraulic	5	4.5 ~ 5.5	0.20	6500	1.06	4.47	22.5	13
DFM3507S				0.15	5500	0.90	3.20	19.0	
DFL3507S				0.10	4500	0.74	2.14	18.5	

Notes: 1. The parameters listed above are for reference. 2. Individual specification will be according to approval sheet provided or customers requirement.

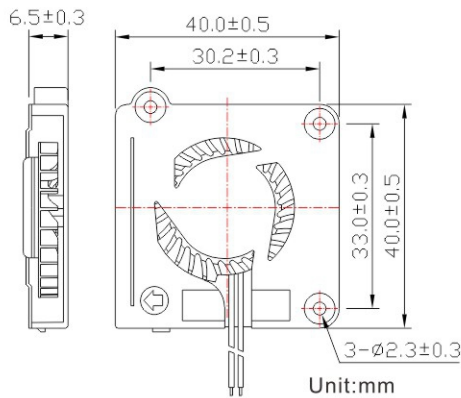
4008



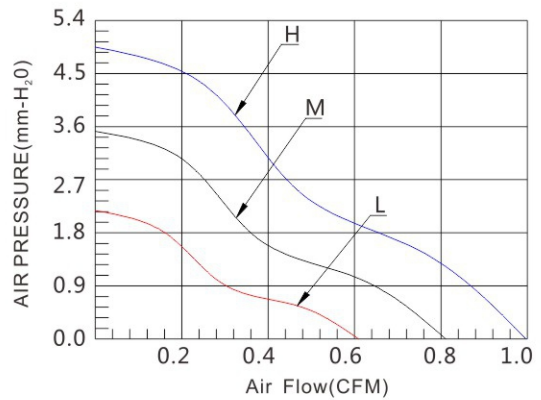
General Specifications (一般规格)

- ◆ Material:
Frame And Impeller: Thermal Plastic UL 94-0
- ◆ Lead Wires: UL Type
RED Wire Positive(+)
Black Wire Negative(-)
- ◆ Insulation Resistance: 10MΩ Or Over With a DC250V Megger
- ◆ Dielectric Withstand Voltage: AC500V 1S
- ◆ Allowable Ambient Temperature Range:
-10°C ~ +70°C(Operating)
-40°C ~ +70°C(Storage)

Dimensions Drawing(外观图)



Characteristic Curves (特性曲线)



Specifications/规格

型号 Model	轴承类型 Bearing Type	电压 Rated Voltage	电压范围 Operation Voltage	电流 Current	转速 Speed	风量 Air Flow	风压 Static Pressure	噪音 Noise Level	重量 Weight
		VDC	VDC	A	RPM	CFM	mmH ₂ O	dBA	g
DFH4008S	Hydraulic	5	4.5 ~ 5.5	0.20	6500	0.97	4.92	33.3	15
DFM4008S				0.15	5500	0.81	3.53	29.7	
DFL4008S				0.10	4500	0.67	2.36	25.4	

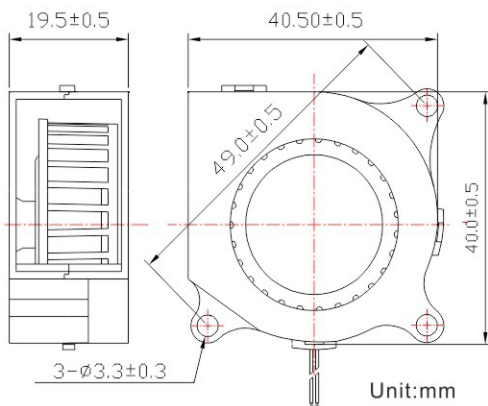
4020



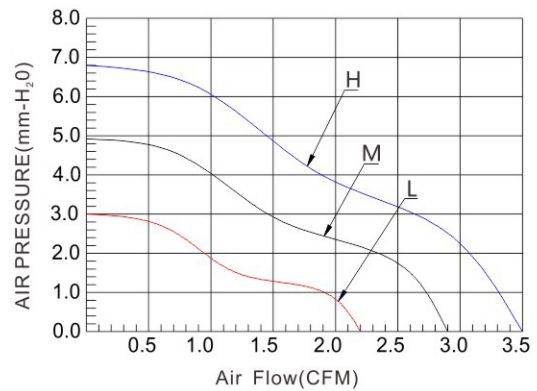
General Specifications (一般规格)

- ◆Material:
Frame And Impeller:Thermal Plastic UL 94-0
- ◆Lead Wires:UL Type
RED Wire Positive(+)
Black Wire Negative(-)
- ◆Insulation Resistance:10MΩ Or Over With a DC250V Megger
- ◆Dielectric Withstand Voltage:AC500V 1S
- ◆Allowable Ambient Temperature Range:
-10°C ~ +70°C(Operating)
-40°C ~ +70°C(Storage)

Dimensions Drawing(外观图)



Characteristic Curves (特性曲线)



Specifications/规格

型号 Model	轴承类型 Bearing Type	电压 Rated Voltage	电压范围 Operation Voltage	电流 Current	转速 Speed	风量 Air Flow	风压 Static Pressure	噪音 Noise Level	重量 Weight
		VDC	VDC	A	RPM	CFM	mmH ₂ O	dBA	g
DFH4020S	Sleeve	5	4.5 ~ 5.5	0.26	5300	3.50	6.80	29.6	25
DFM4020S				0.20	4200	2.90	4.90	25.5	
DFL4020S				0.14	3000	2.20	3.00	21.4	
DFH4020S		12	10.8 ~ 13.2	0.12	6000	4.10	8.50	34.8	
DFM4020S				0.08	5300	3.50	6.80	29.6	
DFL4020S				0.06	4200	2.90	4.90	25.5	

Notes:1. The parameters listed above are for reference. 2. Individual specification will be according to approval sheet provided or customers requirement.

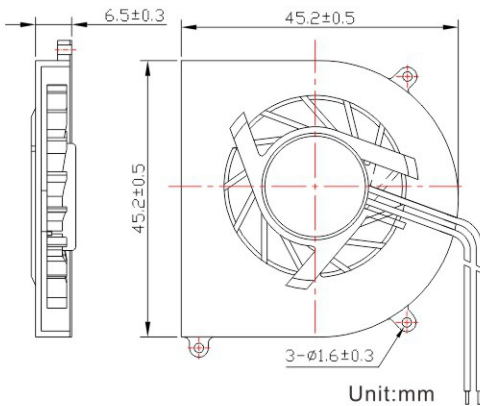
4506-A



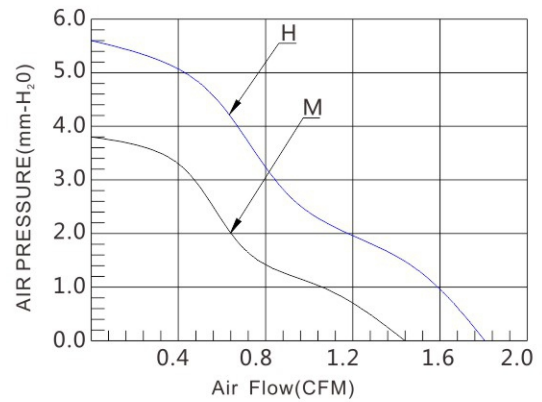
General Specifications (一般规格)

- ◆ Material:
Frame And Impeller: Thermal Plastic UL 94-0
- ◆ Lead Wires: UL Type
RED Wire Positive(+)
Black Wire Negative(-)
- ◆ Insulation Resistance: 10MΩ Or Over With a DC250V Megger
- ◆ Dielectric Withstand Voltage: AC500V 1S
- ◆ Allowable Ambient Temperature Range:
-10°C ~ +70°C(Operating)
-40°C ~ +70°C(Storage)

Dimensions Drawing(外观图)



Characteristic Curves (特性曲线)



Specifications/规格

型号 Model	轴承类型 Bearing Type	电压 Rated Voltage	电压范围 Operation Voltage	电流 Current	转速 Speed	风量 Air Flow	风压 Static Pressure	噪音 Noise Level	重量 Weight
		VDC	VDC	A	RPM	CFM	mmH ₂ O	dBA	g
DFH4506S	Hydraulic	5	4.5 ~ 5.5	0.25	5500	1.85	5.76	29.2	14
DFM4506S				0.22	4500	1.51	3.86	24.9	
DFH4506S		12	10.8 ~ 13.2	0.15	5500	1.85	5.76	29.2	
DFM4506S				0.1	4500	1.51	3.86	24.9	

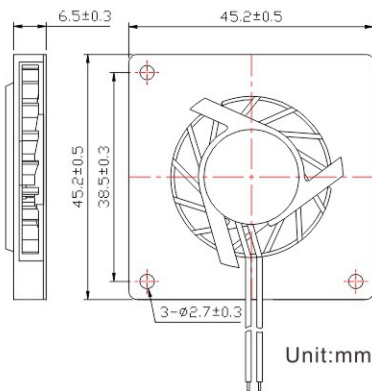
4506-B



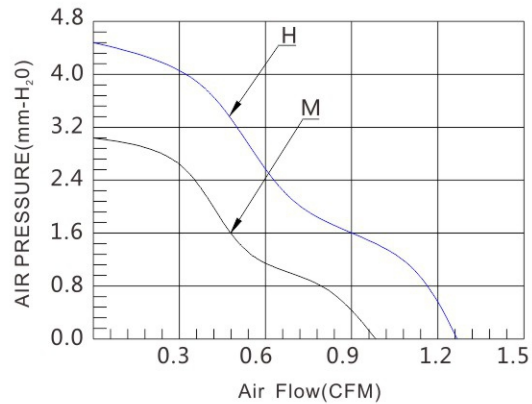
General Specifications (一般规格)

- ◆Material:
Frame And Impeller:Thermal Plastic UL 94-0
- ◆Lead Wires:UL Type
RED Wire Positive(+)
Black Wire Negative(-)
- ◆Insulation Resistance:10MΩ Or Over With a DC250V Megger
- ◆Dielectric Withstand Voltage:AC500V 1S
- ◆Allowable Ambient Temperature Range:
-10°C ~ +70°C(Operating)
-40°C ~ +70°C(Storage)

Dimensions Drawing(外观图)



Characteristic Curves (特性曲线)



Specifications/规格

型号 Model	轴承类型 Bearing Type	电压 Rated Voltage	电压范围 Operation Voltage	电流 Current	转速 Speed	风量 Air Flow	风压 Static Pressure	噪音 Noise Level	重量 Weight
		VDC	VDC	A	RPM	CFM	mmH ₂ O	dBA	g
DFH4506S	Hydraulic	5	4.5 ~ 5.5	0.25	5500	1.33	4.55	36.0	14
DFM4506S				0.20	4500	1.09	3.05	31.7	
DFH4506S		12	10.8 ~ 13.2	0.15	5500	1.33	4.55	36.0	
DFM4506S				0.10	4500	1.09	3.05	31.7	

Notes:1. The parameters listed above are for reference. 2. Individual specification will be according to approval sheet provided or customers requirement.

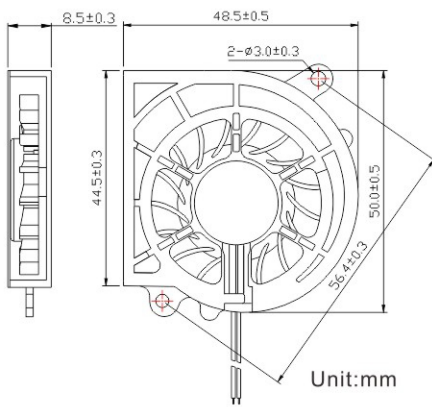
5008



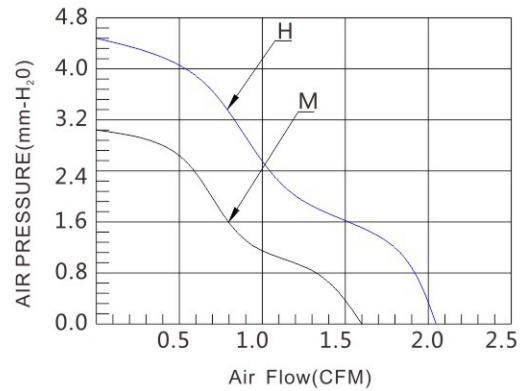
General Specifications (一般规格)

- ◆ Material:
Frame And Impeller: Thermal Plastic UL 94-0
- ◆ Lead Wires: UL Type
RED Wire Positive(+)
Black Wire Negative(-)
- ◆ Insulation Resistance: 10MΩ Or Over With a DC250V Megger
- ◆ Dielectric Withstand Voltage: AC500V 1S
- ◆ Allowable Ambient Temperature Range:
-10°C ~ +70°C(Operating)
-40°C ~ +70°C(Storage)

Dimensions Drawing(外观图)



Characteristic Curves (特性曲线)



Specifications/规格

型号 Model	轴承类型 Bearing Type	电压 Rated Voltage	电压范围 Operation Voltage	电流 Current	转速 Speed	风量 Air Flow	风压 Static Pressure	噪音 Noise Level	重量 Weight
		VDC	VDC	A	RPM	CFM	mmH ₂ O	dBA	g
DFH5008S	Hydraulic	5	4.5 ~ 5.5	0.25	4500	2.06	4.62	37.2	20
DFM5008S				0.18	3500	1.60	2.79	31.7	
DFH5008S		12	10.8 ~ 13.2	0.12	4500	2.06	4.62	37.2	
DFM5008S				0.08	3500	1.60	2.79	31.7	

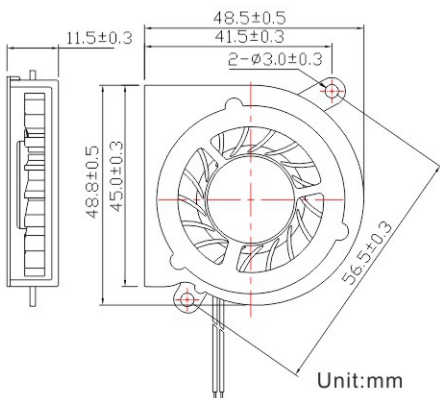
5010



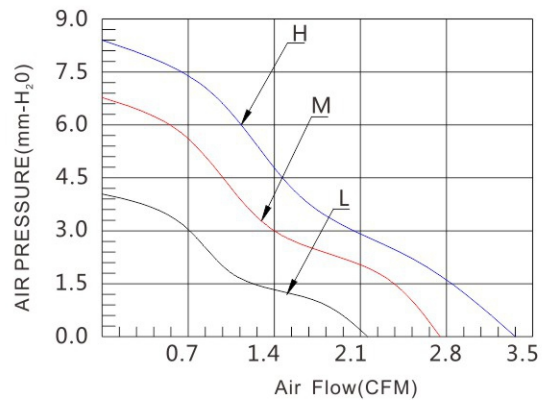
General Specifications (一般规格)

- ◆ Material:
Frame And Impeller: Thermal Plastic UL 94-0
- ◆ Lead Wires: UL Type
RED Wire Positive(+)
Black Wire Negative(-)
- ◆ Insulation Resistance: 10MΩ Or Over With a DC250V Megger
- ◆ Dielectric Withstand Voltage: AC500V 1S
- ◆ Allowable Ambient Temperature Range:
-10°C ~ +70°C (Operating)
-40°C ~ +70°C (Storage)

Dimensions Drawing (外观图)



Characteristic Curves (特性曲线)

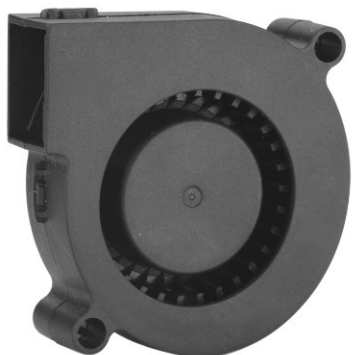


Specifications/规格

型号 Model	轴承类型 Bearing Type	电压 Rated Voltage	电压范围 Operation Voltage	电流 Current	转速 Speed	风量 Air Flow	风压 Static Pressure	噪音 Noise Level	重量 Weight
		VDC	VDC	A	RPM	CFM	mmH ₂ O	dBA	g
DFH5010S	Hydraulic	5	4.5 ~ 5.5	0.28	5500	3.35	8.69	40.2	20
DFM5010S				0.23	4500	2.74	5.82	35.9	
DFL5010S				0.18	3500	2.13	3.52	30.4	

Notes: 1. The parameters listed above are for reference. 2. Individual specification will be according to approval sheet provided or customers requirement.

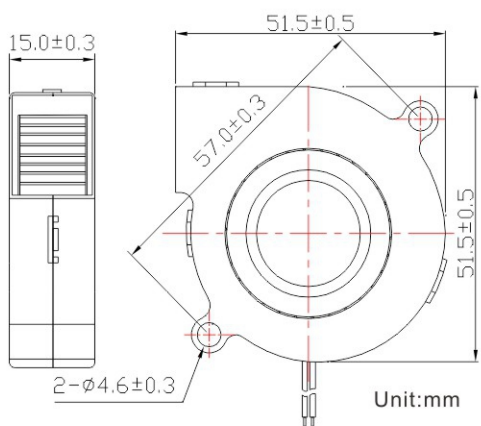
5015-A



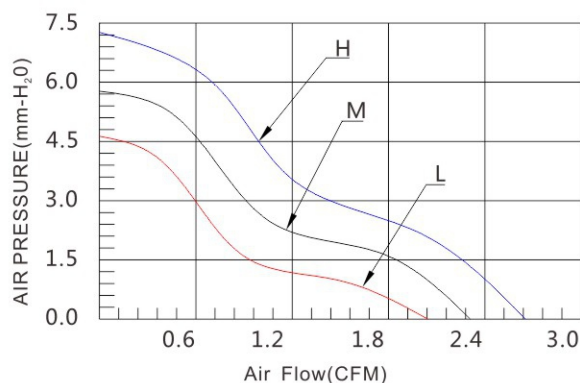
General Specifications (一般规格)

- ◆ Material:
Frame And Impeller: Thermal Plastic UL 94-0
- ◆ Lead Wires: UL Type
RED Wire Positive(+)
Black Wire Negative(-)
- ◆ Insulation Resistance: 10MΩ Or Over With a DC250V Megger
- ◆ Dielectric Withstand Voltage: AC500V 1S
- ◆ Allowable Ambient Temperature Range:
-10°C ~ +70°C(Operating)
-40°C ~ +70°C(Storage)

Dimensions Drawing(外观图)



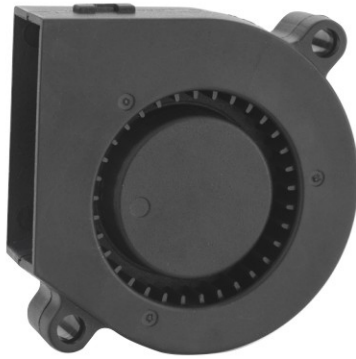
Characteristic Curves (特性曲线)



Specifications/规格

型号 Model	轴承类型 Bearing Type	电压 Rated Voltage	电压范围 Operation Voltage	电流 Current	转速 Speed	风量 Air Flow	风压 Static Pressure	噪音 Noise Level	重量 Weight
		VDC	VDC	A	RPM	CFM	mmH ₂ O	dBA	g
DFH5015S	Sleeve	5	4.5 ~ 5.5	0.30	4200	2.67	7.22	41.8	28
DFM5015S				0.23	3800	2.30	5.74	39.0	
DFL5015S				0.17	3500	2.09	4.62	37.1	
DFH5015B	Ball			0.30	4200	2.67	7.22	41.8	
DFM5015B				0.23	3800	2.30	5.74	39.0	
DFL5015B				0.17	3500	2.09	4.62	37.1	
DFH5015S	Sleeve	12	10.8 ~ 13.2	0.16	4200	2.67	7.22	41.8	
DFM5015S				0.12	3800	2.30	5.74	39.0	
DFL5015S				0.08	3500	2.09	4.62	37.1	
DFH5015B	Ball			0.16	4200	2.67	7.22	41.8	
DFM5015B				0.12	3800	2.30	5.74	39.0	
DFL5015B				0.08	3500	2.09	4.62	37.1	

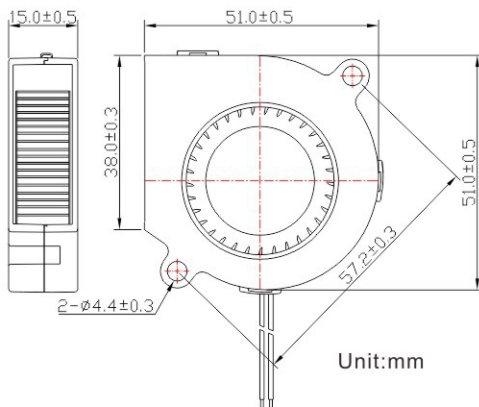
5015-B



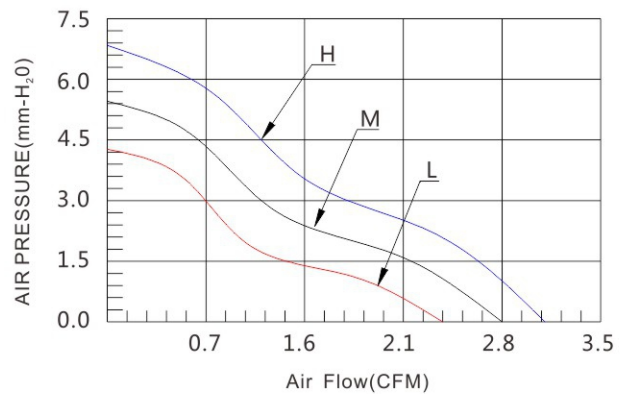
General Specifications (一般规格)

- ◆Material:
Frame And Impeller:Thermal Plastic UL 94-0
- ◆Lead Wires:UL Type
RED Wire Positive(+)
Black Wire Negative(-)
- ◆Insulation Resistance:10MΩ Or Over With a DC250V Megger
- ◆Dielectric Withstand Voltage:AC500V 1S
- ◆Allowable Ambient Temperature Range:
-10°C ~ +70°C(Operating)
-40°C ~ +70°C(Storage)

Dimensions Drawing(外观图)



Characteristic Curves (特性曲线)



Specifications/规格

型号 Model	轴承类型 Bearing Type	电压 Rated Voltage	电压范围 Operation Voltage	电流 Current	转速 Speed	风量 Air Flow	风压 Static Pressure	噪音 Noise Level	重量 Weight
		VDC	VDC	A	RPM	CFM	mmH ₂ O	dBA	g
DFH5015S	Sleeve	5	4.5 ~ 5.5	0.30	4200	3.10	6.82	38.3	25
DFM5015S				0.23	3800	2.79	5.51	33.5	
DFL5015S				0.17	3500	2.50	4.29	30.9	
DFH5015B	Ball			0.30	4200	3.10	6.82	38.3	
DFM5015B				0.23	3800	2.79	5.51	33.5	
DFL5015B				0.17	3500	2.50	4.29	30.9	
DFH5015S	Sleeve	12	10.8 ~ 13.2	0.16	4200	3.10	6.82	38.3	
DFM5015S				0.12	3800	2.79	5.51	33.5	
DFL5015S				0.08	3500	2.50	4.29	30.9	
DFH5015B	Ball			0.16	4200	3.10	6.82	38.3	
DFM5015B				0.12	3800	2.79	5.51	33.5	
DFL5015B				0.08	3500	2.50	4.29	30.9	

Notes:1. The parameters listed above are for reference. 2. Individual specification will be according to approval sheet provided or customers requirement.

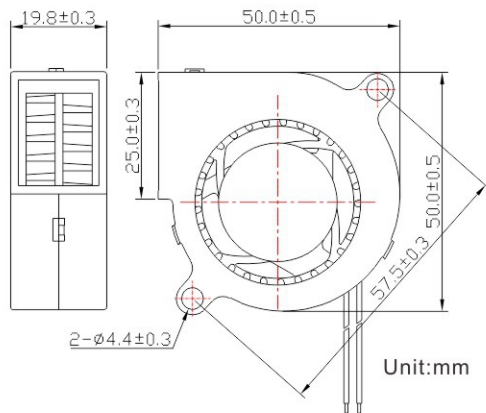
5020-A



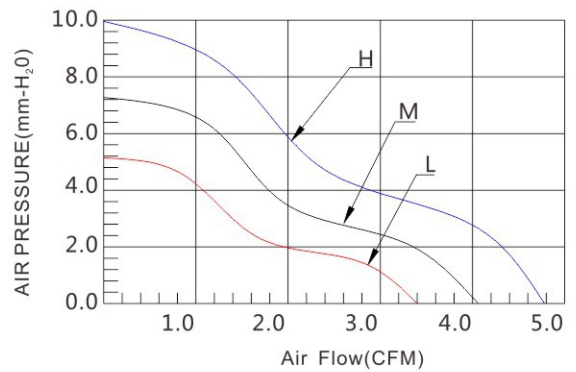
General Specifications (一般规格)

- ◆ Material:
Frame And Impeller: Thermal Plastic UL 94-0
- ◆ Lead Wires: UL Type
RED Wire Positive(+)
Black Wire Negative(-)
- ◆ Insulation Resistance: 10MΩ Or Over With a DC250V Megger
- ◆ Dielectric Withstand Voltage: AC500V 1S
- ◆ Allowable Ambient Temperature Range:
-10°C ~ +70°C(Operating)
-40°C ~ +70°C(Storage)

Dimensions Drawing(外观图)



Characteristic Curves (特性曲线)



Specifications/规格

型号 Model	轴承类型 Bearing Type	电压 Rated Voltage	电压范围 Operation Voltage	电流 Current	转速 Speed	风量 Air Flow	风压 Static Pressure	噪音 Noise Level	重量 Weight
		VDC	VDC	A	RPM	CFM	mmH ₂ O	dBA	g
DFH5020S	Sleeve	5	4.5 ~ 5.5	0.30	5000	4.72	9.98	37.4	33
DFM5020S				0.25	4300	4.06	7.38	32.1	
DFL5020S				0.20	3600	3.40	5.18	26.9	
DFH5020B	Ball			0.30	5000	4.72	9.98	37.4	
DFM5020B				0.25	4300	4.06	7.38	32.1	
DFL5020B				0.20	3600	3.40	5.18	26.9	
DFH5020S	Sleeve	12	10.8 ~ 13.2	0.20	5000	4.72	9.98	37.4	
DFM5020S				0.15	4300	4.06	7.38	32.1	
DFL5020S				0.10	3600	3.40	5.18	26.9	
DFH5020B	Ball			0.20	5000	4.72	9.98	37.4	
DFM5020B				0.15	4300	4.06	7.38	32.1	
DFL5020B				0.10	3600	3.40	5.18	26.9	

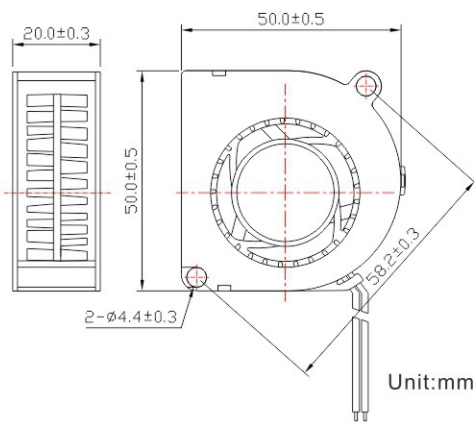
5020-B



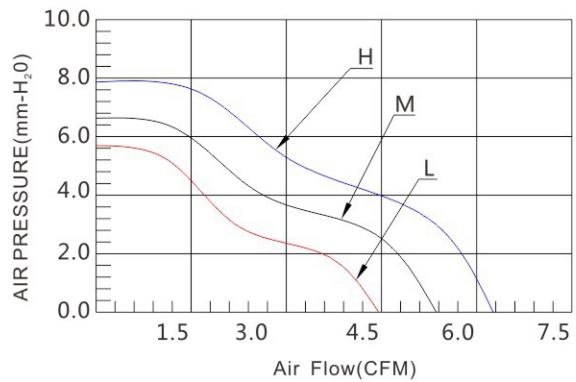
General Specifications (一般规格)

- ◆Material:
Frame And Impeller: Thermal Plastic UL 94-0
- ◆Lead Wires: UL Type
RED Wire Positive(+)
Black Wire Negative(-)
- ◆Insulation Resistance: 10MΩ Or Over With a DC250V Megger
- ◆Dielectric Withstand Voltage: AC500V 1S
- ◆Allowable Ambient Temperature Range:
-10°C ~ +70°C (Operating)
-40°C ~ +70°C (Storage)

Dimensions Drawing (外观图)



Characteristic Curves (特性曲线)

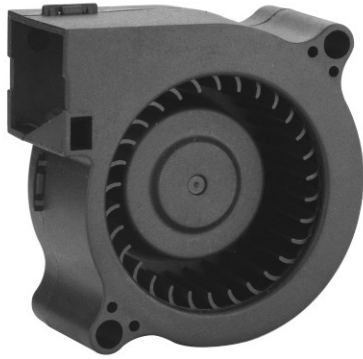


Specifications/规格

型号 Model	轴承类型 Bearing Type	电压 Rated Voltage	电压范围 Operation Voltage	电流 Current	转速 Speed	风量 Air Flow	风压 Static Pressure	噪音 Noise Level	重量 Weight
		VDC	VDC	A	RPM	CFM	mmH ₂ O	dBA	g
DFH5020S	Sleeve	5	4.5 ~ 5.5	0.30	5000	4.54	7.64	36.1	28
DFM5020S				0.25	4300	3.90	5.65	31.4	
DFL5020S				0.20	3600	3.27	3.96	28.3	
DFH5020B	Ball			0.30	5000	4.54	7.64	36.1	
DFM5020B				0.25	4300	3.90	5.65	31.4	
DFL5020B				0.20	3600	3.27	3.96	28.3	
DFH5020S	Sleeve	12	10.8 ~ 13.2	0.20	5000	4.54	7.64	36.1	
DFM5020S				0.15	4300	3.90	5.65	31.4	
DFL5020S				0.10	3600	3.27	3.96	28.3	
DFH5020B	Ball			0.20	5000	4.54	7.64	36.1	
DFM5020B				0.15	4300	3.90	5.65	31.4	
DFL5020B				0.10	3600	3.27	3.96	28.3	

Notes: 1. The parameters listed above are for reference. 2. Individual specification will be according to approval sheet provided or customers requirement.

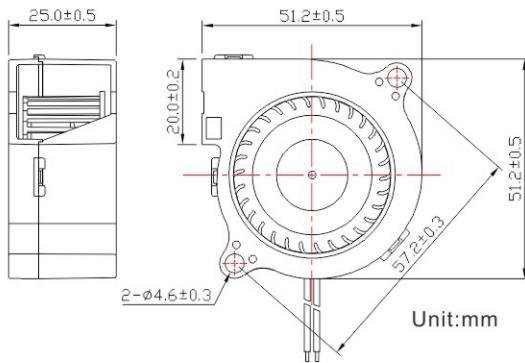
5025



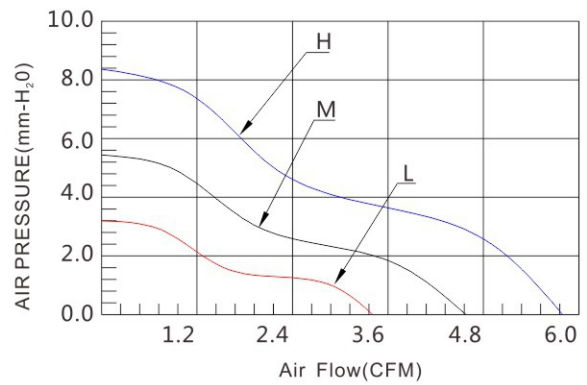
General Specifications (一般规格)

- ◆ Material:
Frame And Impeller: Thermal Plastic UL 94-0
- ◆ Lead Wires: UL Type
RED Wire Positive(+)
Black Wire Negative(-)
- ◆ Insulation Resistance: 10MΩ Or Over With a DC250V Megger
- ◆ Dielectric Withstand Voltage: AC500V 1S
- ◆ Allowable Ambient Temperature Range:
-10°C ~ +70°C(Operating)
-40°C ~ +70°C(Storage)

Dimensions Drawing(外观图)



Characteristic Curves (特性曲线)



Specifications/规格

型号 Model	轴承类型 Bearing Type	电压 Rated Voltage	电压范围 Operation Voltage	电流 Current	转速 Speed	风量 Air Flow	风压 Static Pressure	噪音 Noise Level	重量 Weight
		VDC	VDC	A	RPM	CFM	mmH ₂ O	dBA	g
DFH5025S	Hydraulic	5	4.5 ~ 5.5	0.28	5000	5.79	8.36	41.6	33
DFM5025S				0.23	4000	4.63	5.35	36.7	
DFL5025S				0.18	3000	3.47	3.01	30.5	
DFH5025B	Ball			0.28	5000	5.79	8.36	41.6	
DFM5025B				0.23	4000	4.63	5.35	36.7	
DFL5025B				0.18	3000	3.47	3.01	30.5	
DFH5025S	Hydraulic	12	10.8 ~ 13.2	0.15	5000	5.79	8.36	41.6	
DFM5025S				0.10	4000	4.63	5.35	36.7	
DFL5025S				0.07	3000	3.47	3.01	30.5	
DFH5025B	Ball			0.15	5000	5.79	8.36	41.6	
DFM5025B				0.10	4000	4.63	5.35	36.7	
DFL5025B				0.07	3000	3.47	3.01	30.5	

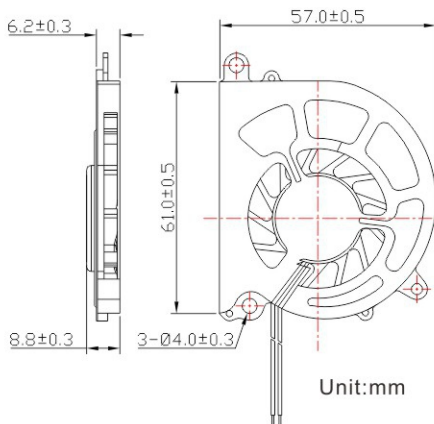
6006



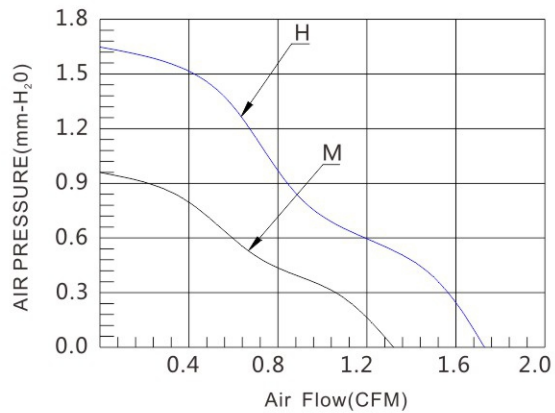
General Specifications (一般规格)

- ◆Material:
Frame And Impeller: Thermal Plastic UL 94-0
- ◆Lead Wires: UL Type
RED Wire Positive(+)
Black Wire Negative(-)
- ◆Insulation Resistance: 10MΩ Or Over With a DC250V Megger
- ◆Dielectric Withstand Voltage: AC500V 1S
- ◆Allowable Ambient Temperature Range:
-10°C ~ +70°C (Operating)
-40°C ~ +70°C (Storage)

Dimensions Drawing (外观图)



Characteristic Curves (特性曲线)



Specifications/规格

型号 Model	轴承类型 Bearing Type	电压 Rated Voltage	电压范围 Operation Voltage	电流 Current	转速 Speed	风量 Air Flow	风压 Static Pressure	噪音 Noise Level	重量 Weight
		VDC	VDC	A	RPM	CFM	mmH ₂ O	dBA	g
DFH6006S	Hydraulic	5	4.5 ~ 5.5	0.25	4500	1.77	1.64	27.6	20
DFM6006S				0.18	3500	1.37	1.00	22.2	
DFH6006S		12	10.8 ~ 13.2	0.12	4500	1.77	1.64	27.6	
DFM6006S				0.08	3500	1.37	1.00	22.2	

Notes: 1. The parameters listed above are for reference. 2. Individual specification will be according to approval sheet provided or customers requirement.

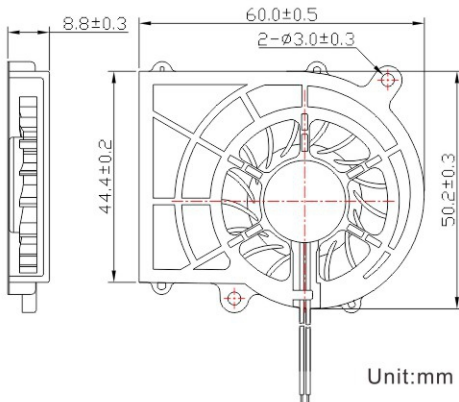
6008



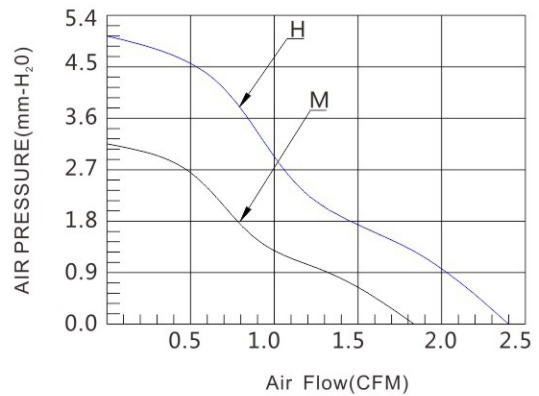
General Specifications (一般规格)

- ◆ Material:
Frame And Impeller: Thermal Plastic UL 94-0
- ◆ Lead Wires: UL Type
RED Wire Positive(+)
Black Wire Negative(-)
- ◆ Insulation Resistance: 10MΩ Or Over With a DC250V Megger
- ◆ Dielectric Withstand Voltage: AC500V 1S
- ◆ Allowable Ambient Temperature Range:
-10°C ~ +70°C(Operating)
-40°C ~ +70°C(Storage)

Dimensions Drawing(外观图)



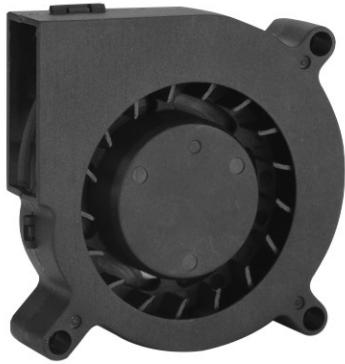
Characteristic Curves (特性曲线)



Specifications/规格

型号 Model	轴承类型 Bearing Type	电压 Rated Voltage	电压范围 Operation Voltage	电流 Current	转速 Speed	风量 Air Flow	风压 Static Pressure	噪音 Noise Level	重量 Weight
		VDC	VDC	A	RPM	CFM	mmH ₂ O	dBA	g
DFH6008S	Hydraulic	5	4.5~5.5	0.25	4500	2.41	4.87	30.0	20
DFM6008S				0.18	3500	1.82	2.77	24.5	
DFH6008B	Ball			0.25	4500	2.41	4.87	30.0	
DFM6008B				0.18	3500	1.82	2.77	24.5	
DFH6008S	Hydraulic	12	10.8~13.2	0.12	4500	2.41	4.87	30.0	
DFM6008S				0.08	3500	1.82	2.77	24.5	
DFH6008B	Ball			0.12	4500	2.41	4.87	30.0	
DFM6008B				0.08	3500	1.82	2.77	24.5	

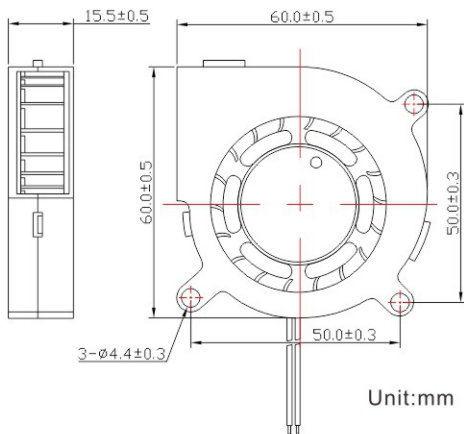
6015



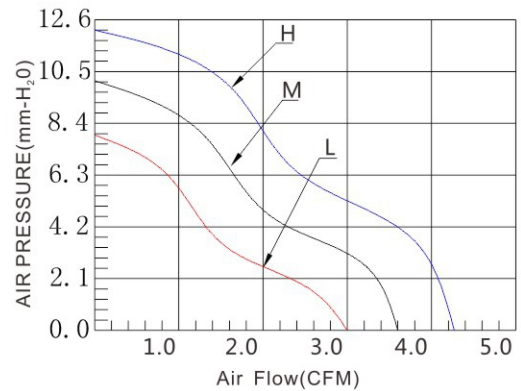
General Specifications (一般规格)

- ◆ Material:
Frame And Impeller: Thermal Plastic UL 94-0
- ◆ Lead Wires: UL Type
RED Wire Positive(+)
Black Wire Negative(-)
- ◆ Insulation Resistance: 10MΩ Or Over With a DC250V Megger
- ◆ Dielectric Withstand Voltage: AC500V 1S
- ◆ Allowable Ambient Temperature Range:
-10°C ~ +70°C(Operating)
-40°C ~ +70°C(Storage)

Dimensions Drawing(外观图)



Characteristic Curves (特性曲线)



Specifications/规格

型号 Model	轴承类型 Bearing Type	电压 Rated Voltage	电压范围 Operation Voltage	电流 Current	转速 Speed	风量 Air Flow	风压 Static Pressure	噪音 Noise Level	重量 Weight
		VDC	VDC	A	RPM	CFM	mmH ₂ O	dBA	g
DFM6015S	Sleeve	5	4.5 ~ 5.5	0.35	3500	3.60	10.02	33.50	35
DFL6015S				0.25	2800	3.00	7.92	28.20	
DFH6015S	Sleeve	12	10.8 ~ 13.2	0.24	4200	4.32	12.02	40.20	
DFM6015S				0.20	3500	3.60	10.02	33.50	
DFL6015S				0.16	2800	3.00	7.92	28.20	

Notes: 1. The parameters listed above are for reference. 2. Individual specification will be according to approval sheet provided or customers requirement.

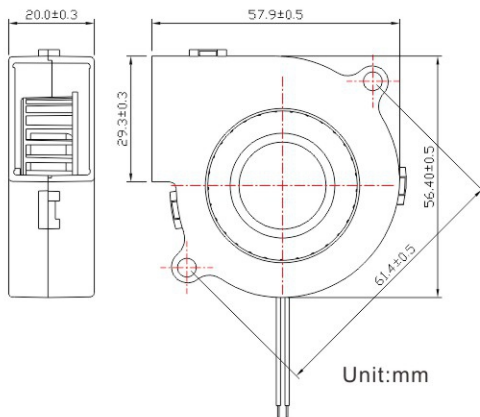
6020



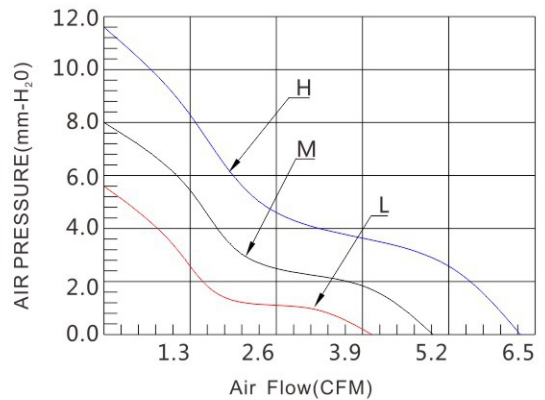
General Specifications (一般规格)

- ◆ Material:
Frame And Impeller: Thermal Plastic UL 94-0
- ◆ Lead Wires: UL Type
RED Wire Positive(+)
Black Wire Negative(-)
- ◆ Insulation Resistance: 10MΩ Or Over With a DC250V Megger
- ◆ Dielectric Withstand Voltage: AC500V 1S
- ◆ Allowable Ambient Temperature Range:
-10°C ~ +70°C(Operating)
-40°C ~ +70°C(Storage)

Dimensions Drawing(外观图)



Characteristic Curves (特性曲线)



Specifications/规格

型号 Model	轴承类型 Bearing Type	电压 Rated Voltage	电压范围 Operation Voltage	电流 Current	转速 Speed	风量 Air Flow	风压 Static Pressure	噪音 Noise Level	重量 Weight
		VDC	VDC	A	RPM	CFM	mmH ₂ O	dBA	g
DFH6020S	Sleeve	12	10.8 ~ 13.2	0.25	5500	6.22	11.9	44.2	35
DFM6020S				0.20	4500	5.09	7.97	39.9	
DFL6020S				0.15	3500	3.95	4.82	34.4	
DFH6020B	Ball			0.25	5000	6.22	11.9	44.2	
DFM6020B				0.20	4500	5.09	7.97	39.9	
DFL6020B				0.15	3500	3.95	4.82	34.4	
DFH6020S	Sleeve	24	21.6 ~ 26.4	0.20	5500	6.22	11.9	44.2	
DFM6020S				0.15	4500	5.09	7.97	39.9	
DFL6020S				0.10	3500	3.95	4.82	34.4	
DFH6020B	Ball			0.20	5000	6.22	11.9	44.2	
DFM6020B				0.15	4500	5.09	7.97	39.9	
DFL6020B				0.10	3500	3.95	4.82	34.4	

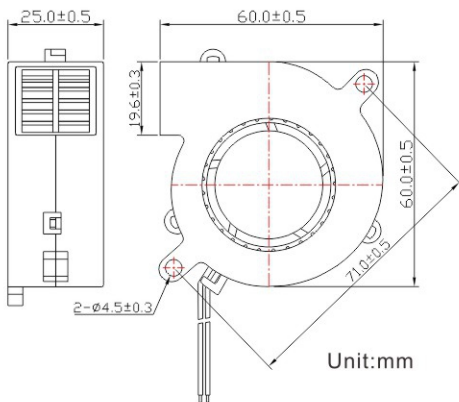
6025



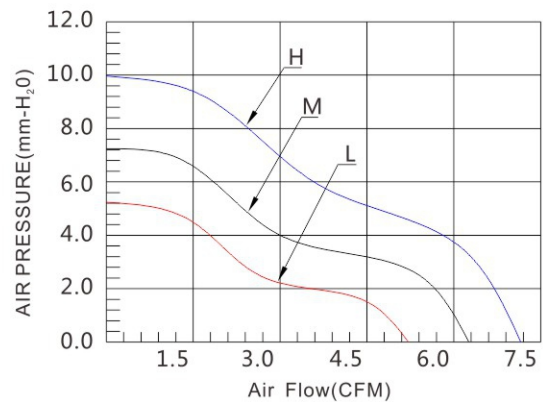
General Specifications (一般规格)

- ◆Material:
Frame And Impeller:Thermal Plastic UL 94-0
- ◆Lead Wires:UL Type
RED Wire Positive(+)
Black Wire Negative(-)
- ◆Insulation Resistance:10MΩ Or Over With a DC250V Megger
- ◆Dielectric Withstand Voltage:AC500V 1S
- ◆Allowable Ambient Temperature Range:
-10°C ~ +70°C(Operating)
-40°C ~ +70°C(Storage)

Dimensions Drawing(外观图)



Characteristic Curves (特性曲线)



Specifications/规格

型号 Model	轴承类型 Bearing Type	电压 Rated Voltage	电压范围 Operation Voltage	电流 Current	转速 Speed	风量 Air Flow	风压 Static Pressure	噪音 Noise Level	重量 Weight
		VDC	VDC	A	RPM	CFM	mmH ₂ O	dBA	g
DFH6025S	Sleeve	12	10.8 ~ 13.2	0.25	3500	7.33	9.97	37.0	45
DFM6025S				0.20	3000	6.28	7.32	33.7	
DFL6025S				0.15	2500	5.24	5.09	29.7	
DFH6025B	Ball			0.25	3500	7.33	9.97	37.0	
DFM6025B				0.20	3000	6.28	7.32	33.7	
DFL6025B				0.15	2500	5.24	5.09	29.7	
DFH6025S	Sleeve	24	21.6 ~ 26.4	0.20	3500	7.33	9.97	37.0	
DFM6025S				0.16	3000	6.28	7.32	33.7	
DFL6025S				0.10	2500	5.24	5.09	29.7	
DFH6025B	Ball			0.20	3500	7.33	9.97	37.0	
DFM6025B				0.16	3000	6.28	7.32	33.7	
DFL6025B				0.10	2500	5.24	5.09	29.7	

Notes:1. The parameters listed above are for reference. 2. Individual specification will be according to approval sheet provided or customers requirement.

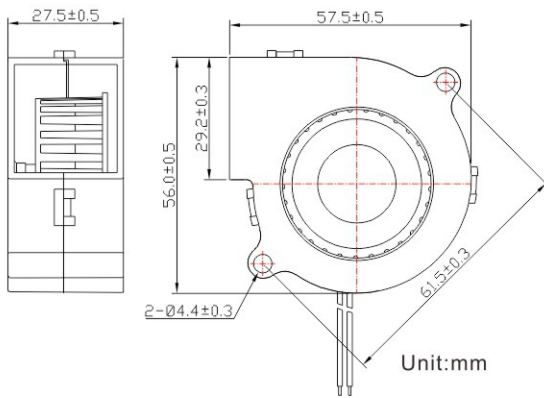
6028



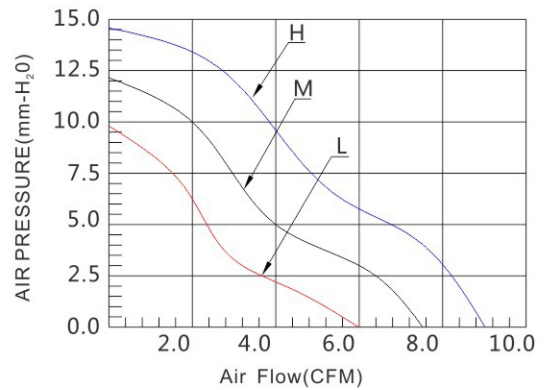
General Specifications (一般规格)

- ◆Material:
Frame And Impeller:Thermal Plastic UL 94-0
- ◆Lead Wires:UL Type
RED Wire Positive(+)
Black Wire Negative(-)
- ◆Insulation Resistance:10MΩ Or Over With a DC250V Megger
- ◆Dielectric Withstand Voltage:AC500V 1S
- ◆Allowable Ambient Temperature Range:
-10°C ~ +70°C(Operating)
-40°C ~ +70°C(Storage)

Dimensions Drawing(外观图)



Characteristic Curves (特性曲线)



Specifications/规格

型号 Model	轴承类型 Bearing Type	电压 Rated Voltage	电压范围 Operation Voltage	电流 Current	转速 Speed	风量 Air Flow	风压 Static Pressure	噪音 Noise Level	重量 Weight
		VDC	VDC	A	RPM	CFM	mmH ₂ O	dBA	g
DFH6028S	Sleeve	12	10.8 ~ 13.2	0.25	6000	9.00	14.68	49.9	50
DFM6028S				0.18	5000	7.49	12.23	41.6	
DFL6028S				0.10	4000	5.99	9.78	33.3	
DFH6028B	Ball			0.25	6000	9.00	14.68	49.9	
DFM6028B				0.18	5000	7.49	12.23	41.6	
DFL6028B				0.10	4000	5.99	9.78	33.3	
DFH6028S	Sleeve	24	21.6 ~ 26.4	0.20	6000	9.00	14.68	49.9	
DFM6028S				0.15	5000	7.49	12.23	41.6	
DFL6028S				0.08	4000	5.99	9.78	33.3	
DFH6028B	Ball			0.20	6000	9.00	14.68	49.9	
DFM6028B				0.15	5000	7.49	12.23	41.6	
DFL6028B				0.08	4000	5.99	9.78	33.3	

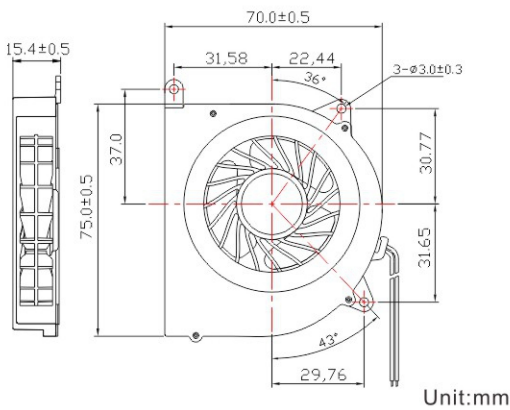
7515



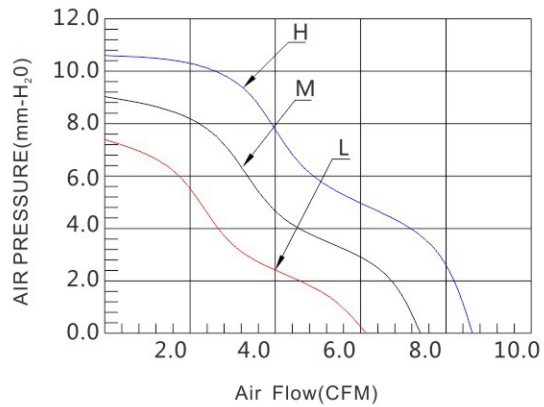
General Specifications (一般规格)

- ◆ Material:
Frame And Impeller: Thermal Plastic UL 94-0
- ◆ Lead Wires: UL Type
RED Wire Positive(+)
Black Wire Negative(-)
- ◆ Insulation Resistance: 10MΩ Or Over With a DC250V Megger
- ◆ Dielectric Withstand Voltage: AC500V 1S
- ◆ Allowable Ambient Temperature Range:
-10°C ~ +70°C (Operating)
-40°C ~ +70°C (Storage)

Dimensions Drawing (外观图)



Characteristic Curves (特性曲线)



Specifications/规格

型号 Model	轴承类型 Bearing Type	电压 Rated Voltage	电压范围 Operation Voltage	电流 Current	转速 Speed	风量 Air Flow	风压 Static Pressure	噪音 Noise Level	重量 Weight
		VDC	VDC	A	RPM	CFM	mmH ₂ O	dBA	g
DFH7515S	Sleeve	5	4.5 ~ 5.5	0.35	3500	8.68	10.56	32.6	46
DFM7515S				0.27	3000	7.44	9.05	27.9	
DFL7515S				0.18	2500	6.20	7.54	23.3	
DFH7515B	Ball			0.35	3500	8.68	10.56	32.6	
DFM7515B				0.27	3000	7.44	9.05	27.9	
DFL7515B				0.18	2500	6.20	7.54	23.3	
DFH7515S	Sleeve	12	10.8 ~ 13.2	0.15	3500	8.68	10.56	32.6	
DFM7515S				0.10	3000	7.44	9.05	27.9	
DFL7515S				0.07	2500	6.20	7.54	23.3	
DFH7515B	Ball			0.15	3500	8.68	10.56	32.6	
DFM7515B				0.10	3000	7.44	9.05	27.9	
DFL7515B				0.07	2500	6.20	7.54	23.3	

Notes: 1. The parameters listed above are for reference. 2. Individual specification will be according to approval sheet provided or customers requirement.

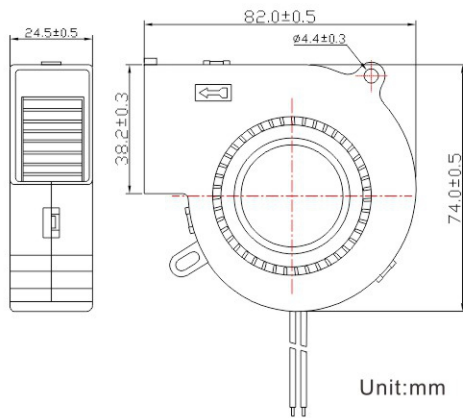
7525



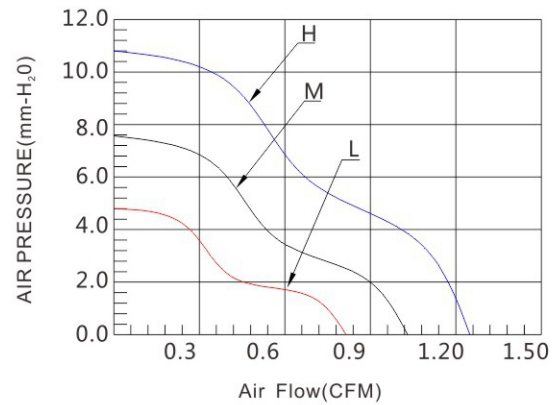
General Specifications (一般规格)

- ◆ Material:
Frame And Impeller: Thermal Plastic UL 94-0
- ◆ Lead Wires: UL Type
RED Wire Positive(+)
Black Wire Negative(-)
- ◆ Insulation Resistance: 10MΩ Or Over With a DC250V Megger
- ◆ Dielectric Withstand Voltage: AC500V 1S
- ◆ Allowable Ambient Temperature Range:
-10°C ~ +70°C(Operating)
-40°C ~ +70°C(Storage)

Dimensions Drawing(外观图)



Characteristic Curves (特性曲线)



Specifications/规格

型号 Model	轴承类型 Bearing Type	电压 Rated Voltage	电压范围 Operation Voltage	电流 Current	转速 Speed	风量 Air Flow	风压 Static Pressure	噪音 Noise Level	重量 Weight
		VDC	VDC	A	RPM	CFM	mmH ₂ O	dBA	g
DFH7525S	Sleeve	12	10.8 ~ 13.2	0.35	3000	12.42	10.80	38.0	65
DFM7525S				0.22	2500	10.35	7.50	34.1	
DFL7525S				0.15	2000	8.28	4.80	29.2	
DFH7525B	Ball			0.35	3000	12.42	10.80	38.0	
DFM7525B				0.22	2500	10.35	7.50	34.1	
DFL7525B				0.15	2000	8.28	4.80	29.2	
DFH7525S	Sleeve	24	21.6 ~ 26.4	0.2	3000	12.42	10.80	38.0	
DFM7525S				0.15	2500	10.35	7.50	34.1	
DFL7525S				0.10	2000	8.28	4.80	29.2	
DFH7525B	Ball			0.20	3000	12.42	10.80	38.0	
DFM7525B				0.15	2500	10.35	7.50	34.1	
DFL7525B				0.10	2000	8.28	4.80	29.2	

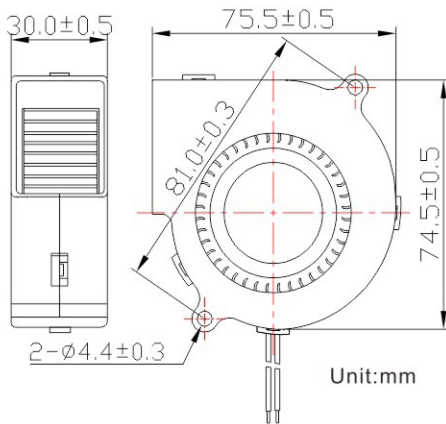
7530



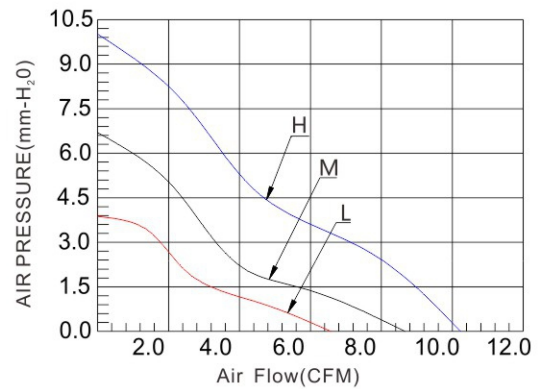
General Specifications (一般规格)

- ◆Material:
Frame And Impeller: Thermal Plastic UL 94-0
- ◆Lead Wires: UL Type
RED Wire Positive(+)
Black Wire Negative(-)
- ◆Insulation Resistance: 10MΩ Or Over With a DC250V Megger
- ◆Dielectric Withstand Voltage: AC500V 1S
- ◆Allowable Ambient Temperature Range:
-10°C ~ +70°C (Operating)
-40°C ~ +70°C (Storage)

Dimensions Drawing (外观图)



Characteristic Curves (特性曲线)



Specifications/规格

型号 Model	轴承类型 Bearing Type	电压 Rated Voltage	电压范围 Operation Voltage	电流 Current	转速 Speed	风量 Air Flow	风压 Static Pressure	噪音 Noise Level	重量 Weight
		VDC	VDC	A	RPM	CFM	mmH ₂ O	dBA	g
DFH7530S	Sleeve	12	10.8 ~ 13.2	0.50	3000	10.5	9.80	37.5	76
DFM7530S				0.40	2500	8.80	6.60	35.5	
DFL7530S				0.30	2000	7.10	3.90	27.5	
DFH7530B	Ball			0.50	3000	10.5	9.80	37.5	
DFM7530B				0.40	2500	8.80	6.60	35.5	
DFL7530B				0.30	2000	7.10	3.90	27.5	
DFH7530S	Sleeve	24	21.6 ~ 26.4	0.30	3000	10.5	9.80	37.5	
DFM7530S				0.24	2500	8.80	6.60	35.5	
DFL7530S				0.18	2000	7.10	3.90	27.5	
DFH7530B	Ball			0.30	3000	10.5	9.80	37.5	
DFM7530B				0.24	2500	8.80	6.60	35.5	
DFL7530B				0.18	2000	7.10	3.90	27.5	

Notes: 1. The parameters listed above are for reference. 2. Individual specification will be according to approval sheet provided or customers requirement.

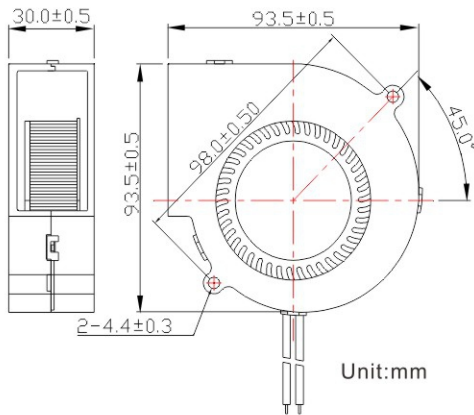
9330



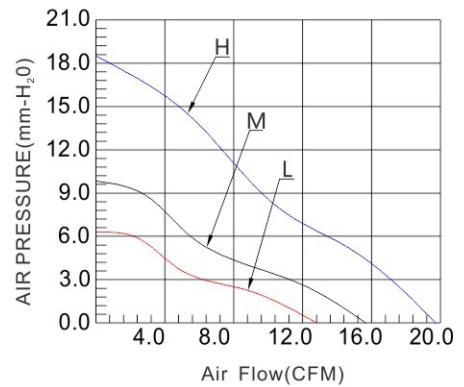
General Specifications (一般规格)

- ◆ Material:
Frame And Impeller: Thermal Plastic UL 94-0
- ◆ Lead Wires: UL Type
RED Wire Positive(+)
Black Wire Negative(-)
- ◆ Insulation Resistance: 10MΩ Or Over With a DC250V Megger
- ◆ Dielectric Withstand Voltage: AC500V 1S
- ◆ Allowable Ambient Temperature Range:
-10°C ~ +70°C(Operating)
-40°C ~ +70°C(Storage)

Dimensions Drawing(外观图)



Characteristic Curves (特性曲线)



Specifications/规格

型号 Model	轴承类型 Bearing Type	电压 Rated Voltage	电压范围 Operation Voltage	电流 Current	转速 Speed	风量 Air Flow	风压 Static Pressure	噪音 Noise Level	重量 Weight
		VDC	VDC	A	RPM	CFM	mmH ₂ O	dBA	g
DFH9330S	Sleeve	12	10.8 ~ 13.2	0.45	3000	19.20	18.80	45.0	155
DFM9330S				0.30	2500	15.80	10.00	42.0	
DFL9330S				0.20	2100	13.00	6.30	38.0	
DFH9330B	Ball			0.45	3000	19.20	18.80	45.0	
DFM9330B				0.30	2500	15.80	10.00	42.0	
DFL9330B				0.20	2100	13.00	6.30	38.0	
DFH9330S	Sleeve	24	21.6 ~ 26.4	0.20	3000	19.20	18.80	45.0	
DFM9330S				0.15	2500	15.80	10.00	42.0	
DFL9330S				0.10	2100	13.00	6.30	38.0	
DFH9330B	Ball			0.20	3000	19.20	18.80	45.0	
DFM9330B				0.15	2500	15.80	10.00	42.0	
DFL9330B				0.10	2100	13.00	6.30	38.0	

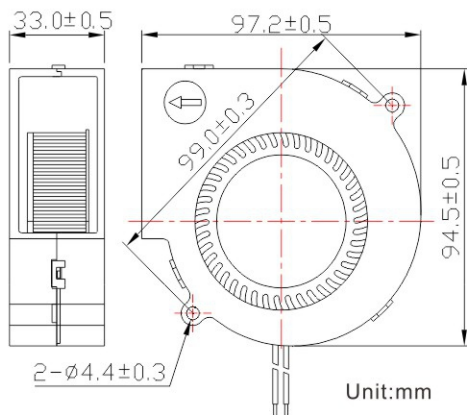
9733



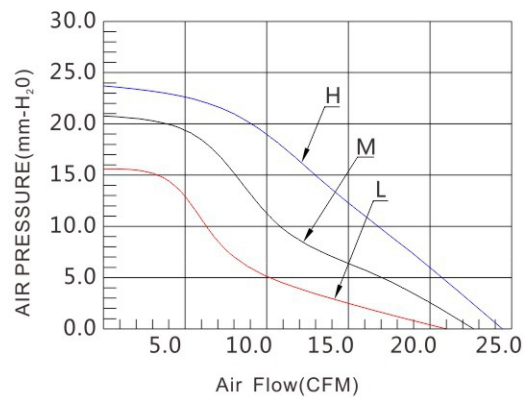
General Specifications (一般规格)

- ◆Material:
Frame And Impeller:Thermal Plastic UL 94-0
- ◆Lead Wires:UL Type
RED Wire Positive(+)
Black Wire Negative(-)
- ◆Insulation Resistance:10MΩ Or Over With a DC250V Megger
- ◆Dielectric Withstand Voltage:AC500V 1S
- ◆Allowable Ambient Temperature Range:
-10°C ~ +70°C(Operating)
-40°C ~ +70°C(Storage)

Dimensions Drawing(外观图)



Characteristic Curves (特性曲线)



Specifications/规格

型号 Model	轴承类型 Bearing Type	电压 Rated Voltage	电压范围 Operation Voltage	电流 Current	转速 Speed	风量 Air Flow	风压 Static Pressure	噪音 Noise Level	重量 Weight
		VDC	VDC	A	RPM	CFM	mmH ₂ O	dBA	g
DFH9733S	Sleeve	12	10.8 ~ 13.2	1.00	3200	24.90	23.06	48.8	146
DFM9733S				0.60	3000	23.10	20.86	43.7	
DFL9733S				0.50	2600	20.10	15.03	34.3	
DFH9733B	Ball			1.00	3200	24.90	23.06	48.8	
DFM9733B				0.60	3000	23.10	20.86	43.7	
DFL9733B				0.50	2600	20.10	15.03	34.3	
DFH9733S	Sleeve	24	21.6 ~ 26.4	0.60	3200	24.90	23.06	48.8	
DFM9733S				0.40	3000	23.10	20.86	43.7	
DFL9733S				0.30	2600	20.10	15.03	34.3	
DFH9733B	Ball			0.60	3200	24.90	23.06	48.8	
DFM9733B				0.40	3000	23.10	20.86	43.7	
DFL9733B				0.30	2600	20.10	15.03	34.3	

Notes:1. The parameters listed above are for reference. 2. Individual specification will be according to approval sheet provided or customers requirement.

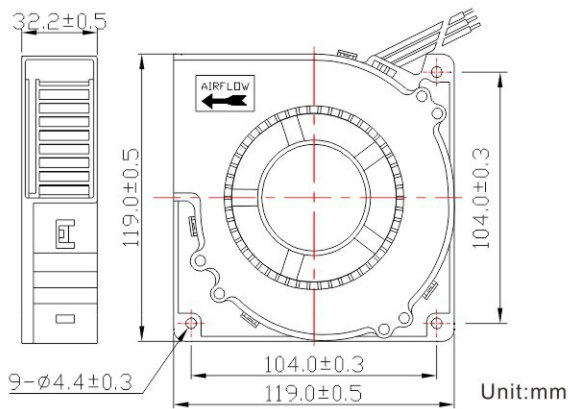
1232



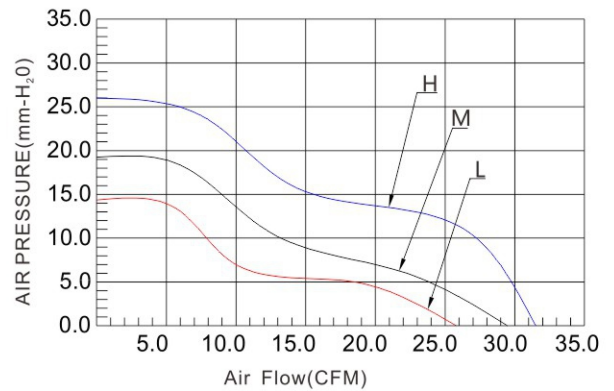
General Specifications (一般规格)

- ◆Material:
Frame And Impeller: Thermal Plastic UL 94-0
- ◆Lead Wires: UL Type
RED Wire Positive(+)
Black Wire Negative(-)
- ◆Insulation Resistance: 10MΩ Or Over With a DC250V Megger
- ◆Dielectric Withstand Voltage: AC500V 1S
- ◆Allowable Ambient Temperature Range:
-10°C ~ +70°C(Operating)
-40°C ~ +70°C(Storage)

Dimensions Drawing(外观图)



Characteristic Curves (特性曲线)



Specifications/规格

型号 Model	轴承类型 Bearing Type	电压 Rated Voltage	电压范围 Operation Voltage	电流 Current	转速 Speed	风量 Air Flow	风压 Static Pressure	噪音 Noise Level	重量 Weight
		VDC	VDC	A	RPM	CFM	mmH ₂ O	dBA	g
DFH1232S	Sleeve	12	10.8 ~ 13.2	1.50	2100	31.83	25.10	45.8	240
DFM1232S				0.80	1800	28.89	18.55	43.7	
DFL1232S				0.40	1600	25.87	14.10	40.9	
DFH1232B	Ball			1.50	2100	31.83	25.10	45.8	
DFM1232B				0.80	1800	28.89	18.55	43.7	
DFL1232B				0.40	1600	25.87	14.10	40.9	
DFH1232S	Sleeve	24	21.6 ~ 26.4	0.40	2100	31.83	25.10	45.8	
DFM1232S				0.30	1800	28.89	18.55	43.7	
DFL1232S				0.20	1600	25.87	14.10	40.9	
DFH1232B	Ball			0.40	2100	31.83	25.10	45.8	
DFM1232B				0.30	1800	28.89	18.55	43.7	
DFL1232B				0.20	1600	25.87	14.10	40.9	

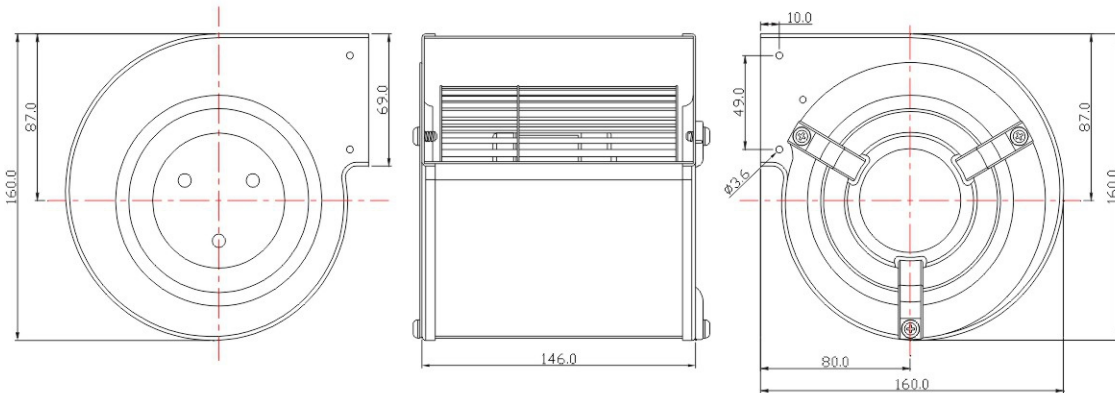
1615



General Specifications (一般规格)

- ◆ Material:
 - Impeller: Galvanized Steel
 - Scroll Housing: Black Paint
- ◆ Weight: 1.8KG
- ◆ Bearing Type: Ball
- ◆ Class B, Electric Protected
- ◆ G2.5 Balancing
- ◆ IP44 Protection Depending On Installation
And Position As Per EN60034-5

Dimensions Drawing (外观图)

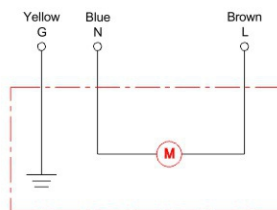
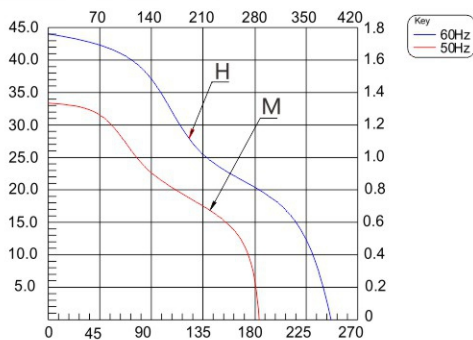


Unit:mm

Specifications/规格

型号 Model	轴承类型 Bearing Type	电压 Rated Voltage	频率 Fre- quency	电流 Current	功率 Power	转数 Speed	噪音 Noise Level	风量 Air Flow		风压 Static Pressure	重量 Weight
		VDC	Hz	A	W	RPM	dBa	M ³ /h	CFM	mmH ₂ O	g
2DEH1615B	Ball	110 ~ 240	50/60	0.50	70	1400	59	414	243.90	44.41	1800
2DEM1615B				0.20	30	1050	44	310	182.93	33.31	

Characteristic Curves (特性曲线)



Notes: 1. The parameters listed above are for reference. 2. Individual specification will be according to approval sheet provided or customers requirement.

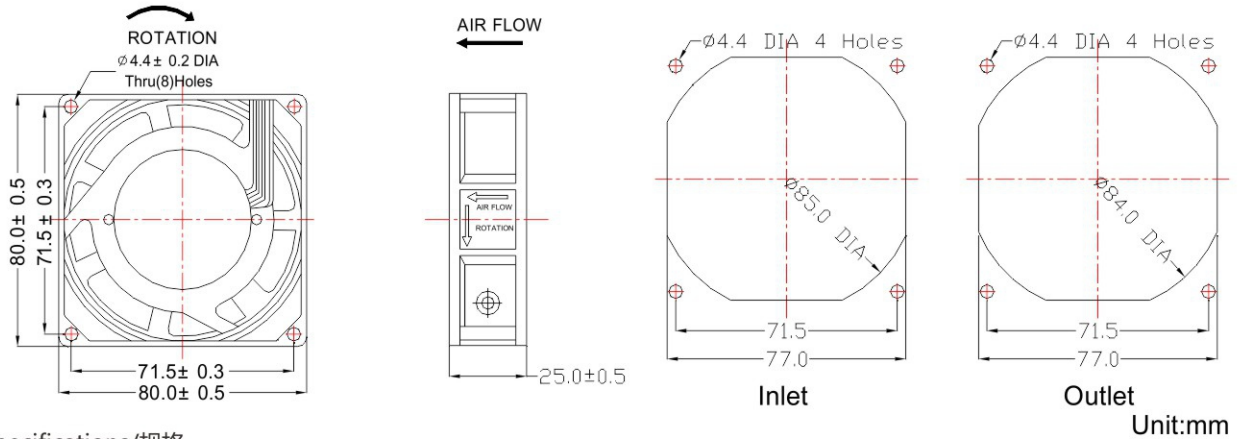
8025



General Specifications (一般规格)

- ◆ Material:
 - Impeller: PBT UL 94V-0 Reinforced Plastic
 - Frame :Aluminium Alloy
- ◆ Lead Wires:UL Type
- ◆ Motor Protection:Impedance Protect
- ◆ Insulation Resistance:10MΩ Or Over With a DC500V Megger
- ◆ Dielectric Withstand Voltage:AC1500V 3S
- ◆ Allowable Ambient Temperature Range:
 - 10°C ~ +70°C(Operating)
 - 40°C ~ +70°C(Storage)

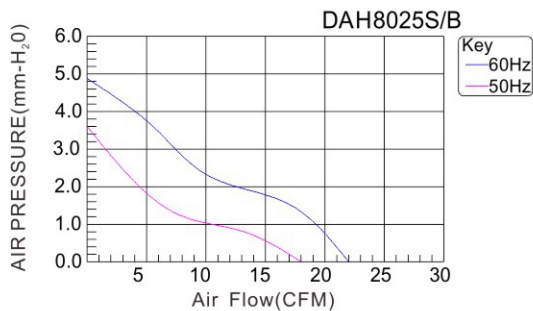
Dimensions Drawing(外观图)



Specifications/规格

型号 Model	轴承类型 Bearing Type	电压 Rated Voltage	频率 Fre- quency	电流 Current	功率 Power	转数 Speed	噪音 Noise Level	风量 Air Flow		风压 Static Pressure	重量 Weight
		VAC	Hz	A	W	RPM	dBA	M ³ /min	CFM	mmH ₂ O	g
DAH8025S	Sleeve	115	50/60	0.12/0.10	12/11	2550/2900	29/33	0.51/0.62	18/22	3.30/4.83	260
DAH8025B	Ball										
DAH8025S	Sleeve	220 ~ 240		0.07/0.06	14/13.5	2550/2900					
DAH8025B	Ball										

Characteristic Curves (特性曲线)



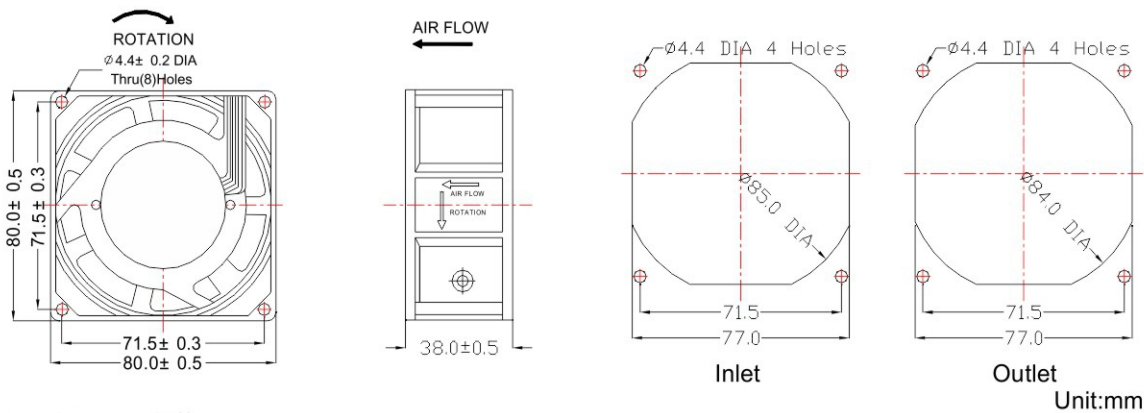
8038



General Specifications (一般规格)

- ◆ Material:
 - Impeller: PBT UL 94V-0 Reinforced Plastic
 - Frame :Aluminium Alloy
- ◆ Lead Wires:UL Type
- ◆ Motor Protection:Impedance Protect
- ◆ Insulation Resistance:10MΩ Or Over With a DC500V Megger
- ◆ Dielectric Withstand Voltage:AC1500V 3S
- ◆ Allowable Ambient Temperature Range:
 - 10°C ~ +70°C(Operating)
 - 40°C ~ +70°C(Storage)

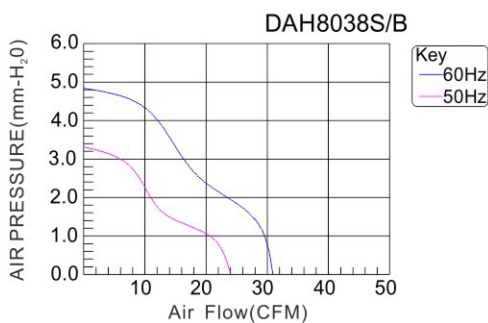
Dimensions Drawing(外观图)



Specifications/规格

型号 Model	轴承类型 Bearing Type	电压 Rated Voltage	频率 Fre- quency	电流 Current	功率 Power	转速 Speed	噪音 Noise Level	风量 Air Flow		风压 Static Pressure	重量 Weight
		VAC	Hz	A	W	RPM	dBA	M ³ /min	CFM	mmH ₂ O	g
DAH8038S	Sleeve	115	50/60	0.15/0.13	14/12	2400/2850	31/35	0.68/0.88	24/31	3.30/4.83	340
DAH8038B	Ball										
DAH8038S	Sleeve	220~240	50/60	0.08/0.07	14/12	2400/2850	31/35	0.68/0.88	24/31	3.30/4.83	340
DAH8038B	Ball										

Characteristic Curves (特性曲线)



Notes:1. The parameters listed above are for reference. 2. Individual specification will be according to approval sheet provided or customers requirement.

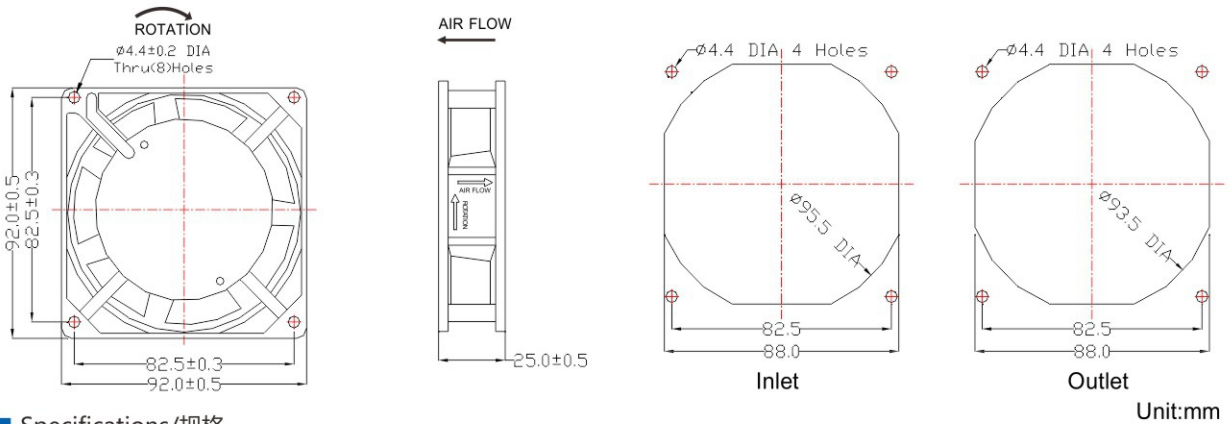
9225



General Specifications (一般规格)

- ◆ Material:
 - Impeller: PBT UL 94V-0 Reinforced Plastic
 - Frame :Aluminium Alloy
- ◆ Lead Wires:UL Type
- ◆ Motor Protection:Impedance Protect
- ◆ Insulation Resistance:10MΩ Or Over With a DC500V Megger
- ◆ Dielectric Withstand Voltage:AC1500V 3S
- ◆ Allowable Ambient Temperature Range:
 - 10°C ~ +70°C(Operating)
 - 40°C ~ +70°C(Storage)

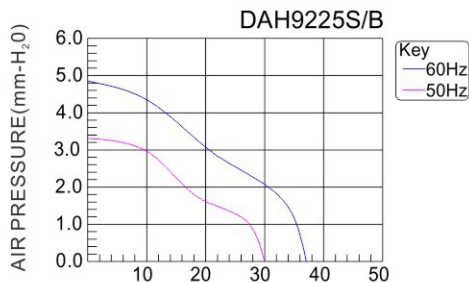
Dimensions Drawing(外观图)



Specifications/规格

型号 Model	轴承类型 Bearing Type	电压 Rated Voltage	频率 Fre- quency	电流 Current	功率 Power	转数 Speed	噪音 Noise Level	风量 Air Flow		风压 Static Pressure	重量 Weight
		VAC	Hz	A	W	RPM	dBA	M ³ /min	CFM	mmH ₂ O	g
DAH9225S	Sleeve	115	50/60	0.12/0.11	13/12	2550/2900	32/37	0.85/1.05	30/37	3.30/4.83	280
DAH9225B	Ball										
DAH9225S	Sleeve	220 ~ 240	50/60	0.07/0.06	14/13.5	2550/2900	32/37	0.85/1.05	30/37	3.30/4.83	280
DAH9225B	Ball										

Characteristic Curves (特性曲线)



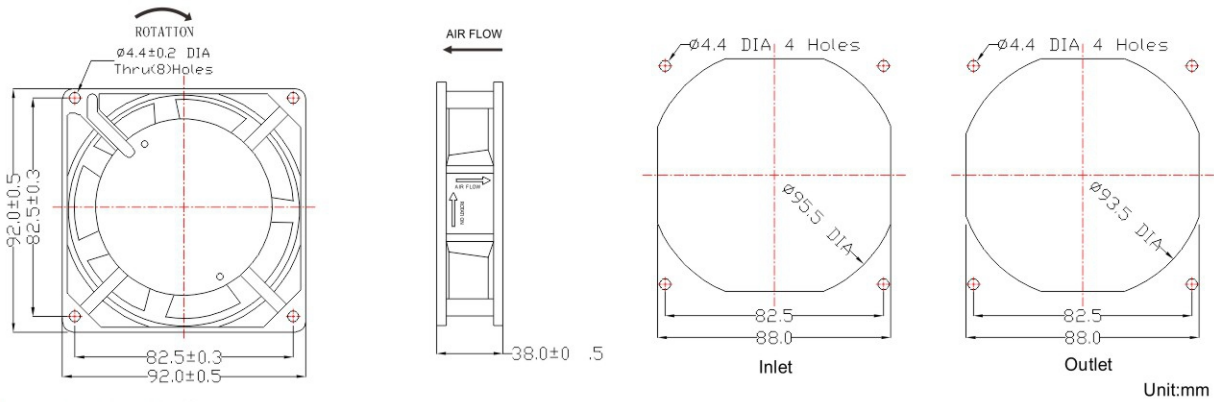
9238



General Specifications (一般规格)

- ◆ Material:
 - Impeller: PBT UL 94V-0 Reinforced Plastic
 - Frame :Aluminium Alloy
- ◆ Lead Wires:UL Type
- ◆ Motor Protection:Impedance Protect
- ◆ Insulation Resistance:10MΩ Or Over With a DC500V Megger
- ◆ Dielectric Withstand Voltage:AC1500V 3S
- ◆ Allowable Ambient Temperature Range:
 - 10°C ~ +70°C(Operating)
 - 40°C ~ +70°C(Storage)

Dimensions Drawing(外观图)

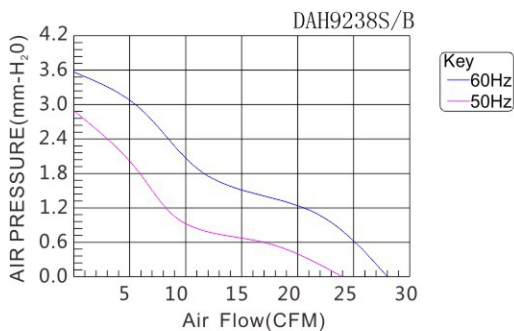


Unit:mm

Specifications/规格

型号 Model	轴承类型 Bearing Type	电压 Rated Voltage	频率 Fre- quency	电流 Current	功率 Power	转数 Speed	噪音 Noise Level	风量 Air Flow		风压 Static Pressure	重量 Weight
		VAC	Hz	A	W	RPM	dBA	M ³ /min	CFM	mmH ₂ O	g
DAH9238S	Sleeve	115	50/60	0.18/0.16	18/15	2500/3000	30/35	0.68/0.79	24/28	2.80/3.50	280
DAH9238B	Ball										
DAH9238S	Sleeve	220~240		0.09/0.08	15/13						
DAH9238B	Ball										

Characteristic Curves (特性曲线)



Notes:1. The parameters listed above are for reference. 2. Individual specification will be according to approval sheet provided or customers requirement.

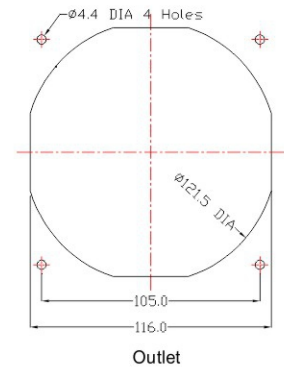
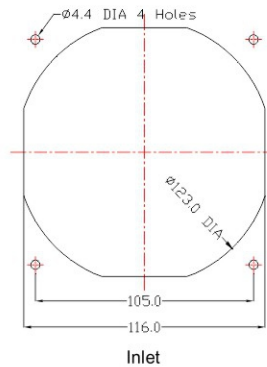
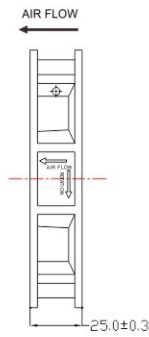
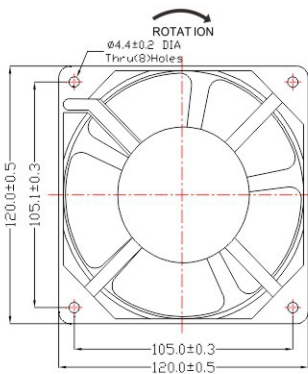
1225



General Specifications (一般规格)

- ◆ Material:
 - Impeller: PBT UL 94V-0 Reinforced Plastic
 - Frame :Aluminium Alloy
- ◆ Lead Wires:UL Type
- ◆ Motor Protection:Impedance Protect
- ◆ Insulation Resistance:10MΩ Or Over With a DC500V Megger
- ◆ Dielectric Withstand Voltage:AC1500V 3S
- ◆ Allowable Ambient Temperature Range:
 - 10°C ~ +70°C(Operating)
 - 40°C ~ +70°C(Storage)

Dimensions Drawing(外观图)



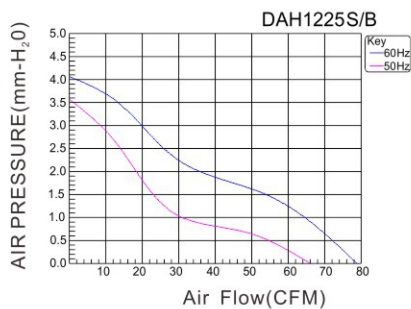
Unit:mm

Characteristic Curves (特性曲线)

Specifications/规格

型号 Model	轴承类型 Bearing Type	电压 Rated Voltage	频率 Fre- quency	电流 Current	功率 Power	转速 Speed	噪音 Noise Level	风量 Air Flow		风压 Static Pressure	重量 Weight
		VAC	Hz	A	W	RPM	dBA	M ³ /min	CFM	mmH ₂ O	g
DAH1225S	Sleeve	115	50/60	0.19/0.18	19/18	2200/2400	38/40	1.87/2.21	66/78	3.56/4.06	330
DAH1225B	Ball										
DAH1225S	Sleeve	220 ~ 240	50/60	0.09/0.09	19/18	2200/2400	38/40	1.87/2.21	66/78	3.56/4.06	330
DAH1225B	Ball										

Characteristic Curves (特性曲线)



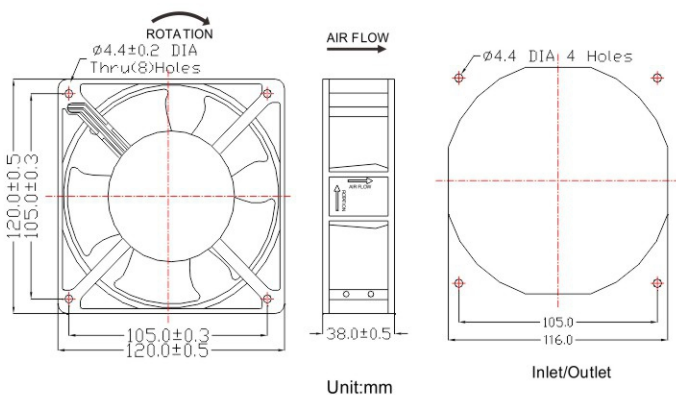
1238



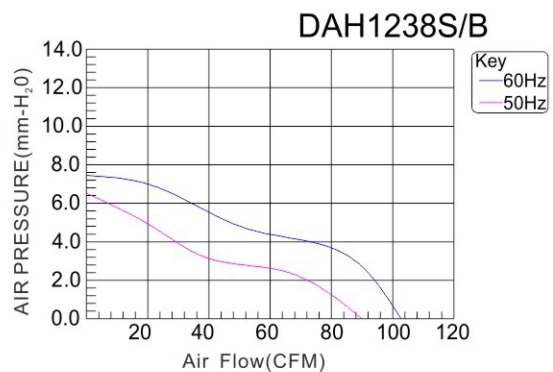
General Specifications (一般规格)

- ◆ Material:
 - Impeller: PBT UL 94V-0 Reinforced Plastic
 - Frame :Aluminium Alloy
- ◆ Lead Wires:UL Type
- ◆ Motor Protection:Impedance Protect
- ◆ Insulation Resistance:10MΩ Or Over With a DC500V Megger
- ◆ Dielectric Withstand Voltage:AC1500V 3S
- ◆ Allowable Ambient Temperature Range:
 - 10°C ~ +70°C(Operating)
 - 40°C ~ +70°C(Storage)

Dimensions Drawing(外观图)



Characteristic Curves (特性曲线)



Specifications/规格

型号 Model	轴承类型 Bearing Type	电压 Rated Voltage	频率 Fre- quency	电流 Current	功率 Power	转速 Speed	噪音 Noise Level	风量 Air Flow		风压 Static Pressure	重量 Weight
		VAC	Hz	A	W	RPM	dBA	M ³ /min	CFM	mmH ₂ O	g
DAH1238S	Sleeve	115	50/60	0.22/0.18	21/18	2600/2950	40/45	2.58/3.20	91/113	6.35/7.62	530
DAH1238B	Ball										
DAH1238S	Sleeve	220 ~ 240	50/60	0.12/0.11	20/19	2200/2500	37/39	2.03/2.25	72/80	3.56/5.33	
DAH1238B	Ball										
DAL1238S	Sleeve	220 ~ 240	50/60	0.09/0.08	16/15	2600	40	2.58	91	6.35	
DAL1238B	Ball										
DAL1238S	Sleeve	380	50	0.06	18	2600	40	2.58	91	6.35	
DAL1238B	Ball										

Notes: 1. The parameters listed above are for reference. 2. Individual specification will be according to approval sheet provided or customers requirement.

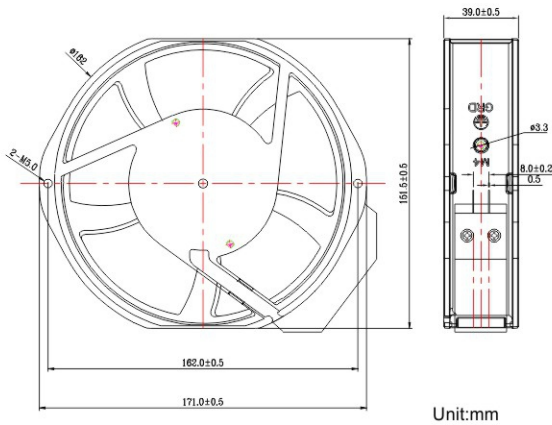
1738



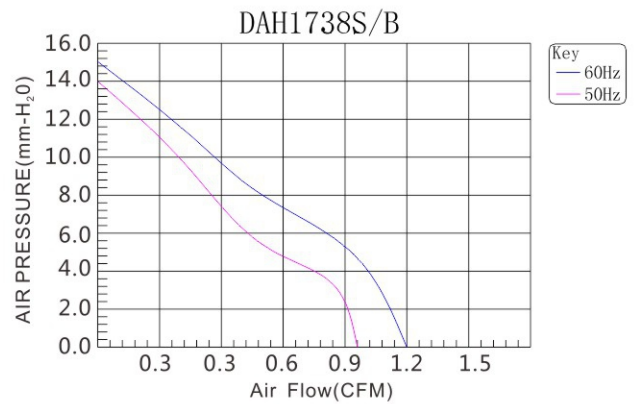
General Specifications (一般规格)

- ◆ Material:
 - Impeller: PBT UL 94V-0 Reinforced Plastic
 - Frame :Aluminium Alloy
- ◆ Lead Wires:UL Type
- ◆ Motor Protection:Impedance Protect
- ◆ Insulation Resistance:10MΩ Or Over With a DC500V Megger
- ◆ Dielectric Withstand Voltage:AC1500V 3S
- ◆ Allowable Ambient Temperature Range:
 - 10°C ~ +70°C(Operating)
 - 40°C ~ +70°C(Storage)

Dimensions Drawing(外观图)



Characteristic Curves (特性曲线)



Specifications/规格

型号 Model	轴承类型 Bearing Type	电压 Rated Voltage	频率 Fre- quency	电流 Current	功率 Power	转速 Speed	噪音 Noise Level	风量 Air Flow		风压 Static Pressure	重量 Weight
		VAC	Hz	A	W	RPM	dBA	M ³ /min	CFM	mmH ₂ O	g
DAH1738S	Sleeve	115	50/60	0.25/0.21	27/25	2700/3100	53/59	5.91/7.07	210/250	14.00/15.5	750
DAH1738B	Ball										
DAH1738S	Sleeve	220 ~ 240		0.11/0.10	25/24						
DAH1738B	Ball										

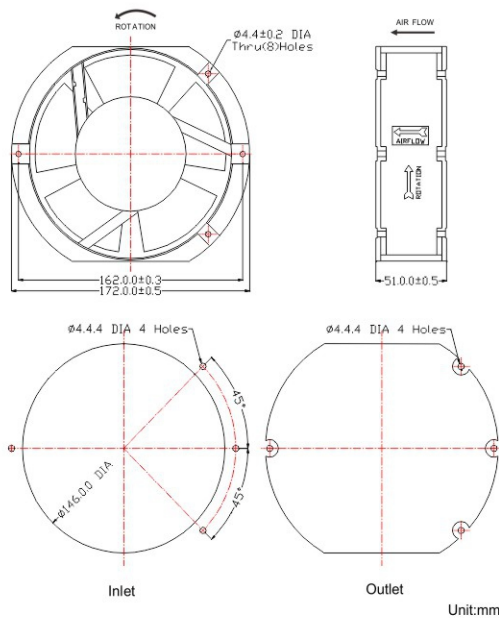
1751



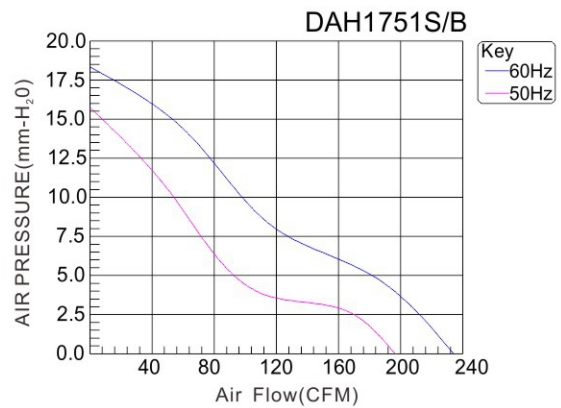
General Specifications (一般规格)

- ◆ Material:
 - Impeller: PBT UL 94V-0 Reinforced Plastic
 - Frame :Aluminium Alloy
- ◆ Lead Wires:UL Type
- ◆ Motor Protection:Impedance Protect
- ◆ Insulation Resistance:10MΩ Or Over With a DC500V Megger
- ◆ Dielectric Withstand Voltage:AC1500V 3S
- ◆ Allowable Ambient Temperature Range:
 - 10°C ~ +70°C(Operating)
 - 40°C ~ +70°C(Storage)

Dimensions Drawing(外观图)



Characteristic Curves (特性曲线)



AC Axial Fan

Specifications/规格

型号 Model	轴承类型 Bearing Type	电压 Rated Voltage	频率 Fre- quency	电流 Current	功率 Power	转速 Speed	噪音 Noise Level	风量 Air Flow		风压 Static Pressure	重量 Weight
		VAC	Hz	A	W	RPM	dBA	M ³ /min	CFM	mmH ₂ O	g
DAH1751S	Sleeve	115	50/60	0.50/0.45	37/36	2700/3100	45/50	5.37/6.65	190/235	16.00/17.78	908
DAH1751B	Ball										
DAH1751S	Sleeve	220 ~ 240	50	0.22/0.21	34/33	2700	45	5.37	190	16	
DAH1751B	Ball										
DAH1751S	Sleeve	380	50	0.11	34	2700	45	5.37	190	16	
DAH1751B	Ball										

Notes:1. The parameters listed above are for reference. 2. Individual specification will be according to approval sheet provided or customers requirement.

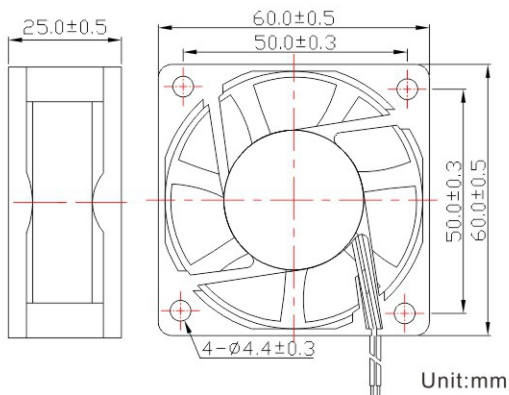
6025



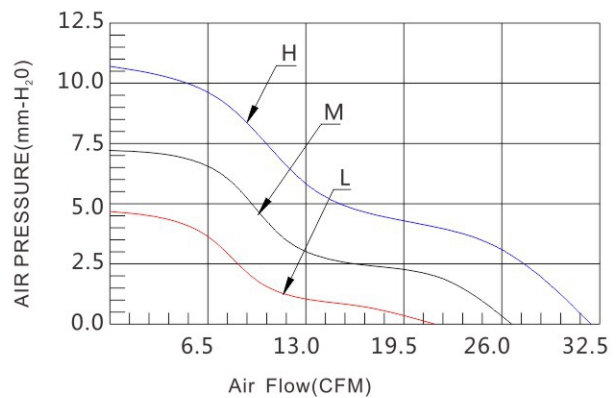
General Specifications (一般规格)

- ◆ Material:
Frame And Impeller: Thermal Plastic UL 94-0
- ◆ Lead Wires: UL Type
RED Wire Positive(+)
Black Wire Negative(-)
- ◆ Operation Temperature: -10°C ~ +70°C
35% ~ 85%RH
- ◆ Storage Temperature: -40°C ~ +70°C
35% ~ 85%RH

Dimensions Drawing(外观图)



Characteristic Curves (特性曲线)



Specifications/规格

型号 Model	轴承类型 Bearing Type	电压 Rated Voltage	频率 Fre- quency	电流 Current	功率 Power	转速 Speed	噪音 Noise Level	风量 Air Flow		风压 Static Pressure	重量 Weight
		VAC	Hz	A	W	RPM	dBA	M ³ /min	CFM	mmH ₂ O	g
DEH6025B	Ball	110 ~ 240	50/60	0.08	5.5	6000	38.0	53.60	31.60	10.58	61
DEM6025B				0.04	3.5	5000	34.1	44.80	26.40	7.34	
DEL6025B				0.02	3.0	4000	29.3	35.80	21.10	4.70	

Notes: 1. The parameters listed above are for reference. 2. Individual specification will be according to approval sheet provided or customers requirement.

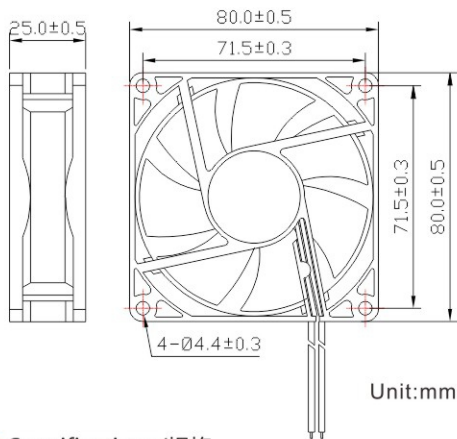
8025



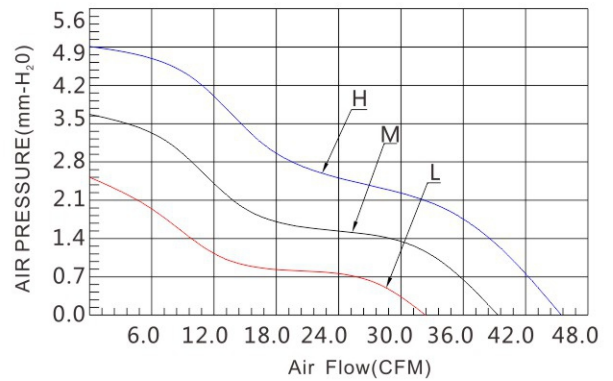
General Specifications (一般规格)

- ◆ Material:
Frame And Impeller: Thermal Plastic UL 94-0
- ◆ Lead Wires: UL Type
RED Wire Positive(+)
Black Wire Negative(-)
- ◆ Operation Temperature: -10°C ~ +70°C
35% ~ 85%RH
- ◆ Storage Temperature: -40°C ~ +70°C
35% ~ 85%RH

Dimensions Drawing(外观图)



Characteristic Curves (特性曲线)



Specifications/规格

型号 Model	轴承类型 Bearing Type	电压 Rated Voltage	频率 Fre- quency	电流 Current	功率 Power	转速 Speed	噪音 Noise Level	风量 Air Flow		风压 Static Pressure	重量 Weight
		VAC	Hz	A	W	RPM	dBA	M ³ /min	CFM	mmH ₂ O	g
DEH8025B	Ball	110 ~ 240	50/60	0.05	5.0	3500	35.1	76.80	45.32	4.94	68
DEM8025B				0.04	3.2	3000	31.7	65.70	38.84	3.63	
DEL8025B				0.03	1.8	2500	27.8	54.80	32.37	2.52	

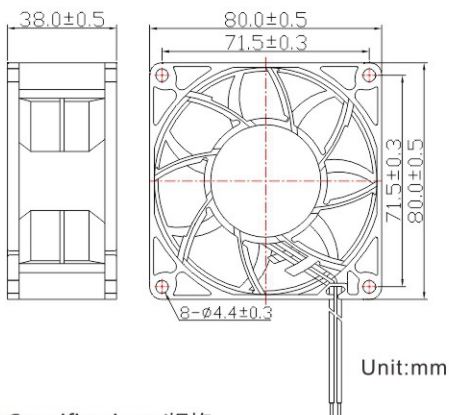
8038



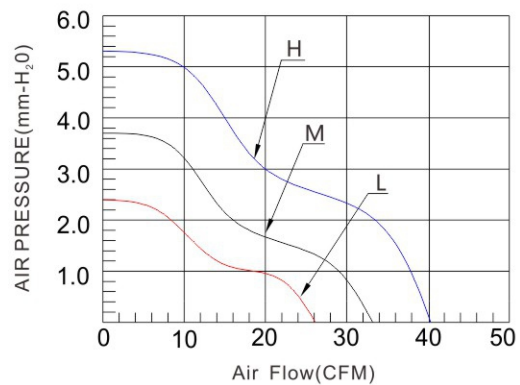
General Specifications (一般规格)

- ◆Material:
Frame And Impeller: Thermal Plastic UL 94-0
- ◆Lead Wires: UL Type
RED Wire Positive(+)
Black Wire Negative(-)
- ◆Operation Temperature: -10°C ~ +70°C
35% ~ 85%RH
- ◆Storage Temperature: -40°C ~ +70°C
35% ~ 85%RH

Dimensions Drawing(外观图)



Characteristic Curves (特性曲线)



Specifications/规格

型号 Model	轴承类型 Bearing Type	电压 Rated Voltage	频率 Fre- quency	电流 Current	功率 Power	转速 Speed	噪音 Noise Level	风量 Air Flow		风压 Static Pressure	重量 Weight
		VAC	Hz	A	W	RPM	dBA	M ³ /min	CFM	mmH ₂ O	g
DEH8038B	Ball	110 ~ 240	50/60	0.05	4.0	3000	37.2	68.10	40.10	5.3	136
DEM8038B				0.04	3.5	2500	32.5	56.50	33.30	3.7	
DEL8038B				0.03	3.0	2000	26.3	44.30	26.10	2.4	

Notes: 1. The parameters listed above are for reference. 2. Individual specification will be according to approval sheet provided or customers requirement.

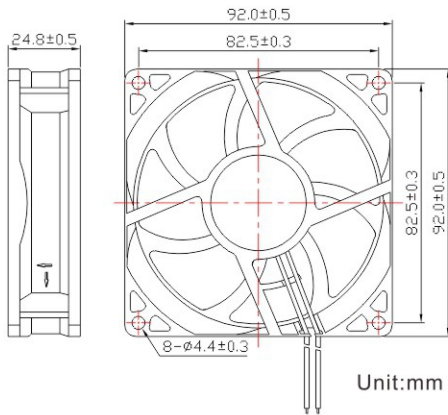
9225



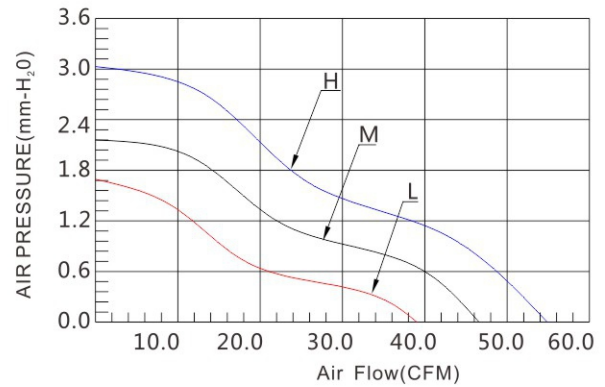
General Specifications (一般规格)

- ◆ Material:
Frame And Impeller: Thermal Plastic UL 94-0
- ◆ Lead Wires: UL Type
RED Wire Positive(+)
Black Wire Negative(-)
- ◆ Operation Temperature: -10°C ~ +70°C
35% ~ 85%RH
- ◆ Storage Temperature: -40°C ~ +70°C
35% ~ 85%RH

Dimensions Drawing (外观图)



Characteristic Curves (特性曲线)



Specifications/规格

型号 Model	轴承类型 Bearing Type	电压 Rated Voltage	频率 Fre- quency	电流 Current	功率 Power	转速 Speed	噪音 Noise Level	风量 Air Flow		风压 Static Pressure	重量 Weight
		VAC	Hz	A	W	RPM	dBA	M ³ /min	CFM	mmH ₂ O	g
DEH9225B	Ball	110 ~ 240	50/60	0.07	4.5	3000	32.6	94.65	55.75	3.04	90
DEM9225B				0.05	3.5	2500	28.6	78.88	46.46	2.11	
DEL9225B				0.04	3.0	2000	25.9	67.69	39.87	1.67	

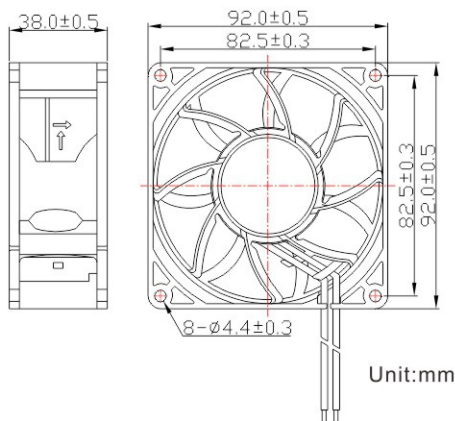
9238



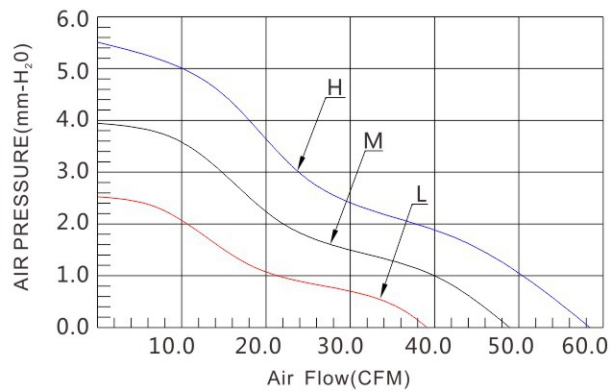
General Specifications (一般规格)

- ◆ Material:
Frame And Impeller: Thermal Plastic UL 94-0
- ◆ Lead Wires: UL Type
RED Wire Positive(+)
Black Wire Negative(-)
- ◆ Operation Temperature: -10°C ~ +70°C
35% ~ 85%RH
- ◆ Storage Temperature: -40°C ~ +70°C
35% ~ 85%RH

Dimensions Drawing(外观图)



Characteristic Curves (特性曲线)



Specifications/规格

型号 Model	轴承类型 Bearing Type	电压 Rated Voltage	频率 Fre- quency	电流 Current	功率 Power	转速 Speed	噪音 Noise Level	风量 Air Flow		风压 Static Pressure	重量 Weight
		VAC	Hz	A	W	RPM	dBA	M ³ /min	CFM	mmH ₂ O	g
DEH9238B	Ball	110 ~ 240	50/60	0.08	5.0	3000	42.9	99.78	58.67	5.55	152
DEM9238B				0.06	4.0	2500	39.0	83.15	48.89	3.85	
DEL9238B				0.04	3.0	2000	34.2	66.53	39.12	2.47	

Notes: 1. The parameters listed above are for reference. 2. Individual specification will be according to approval sheet provided or customers requirement.

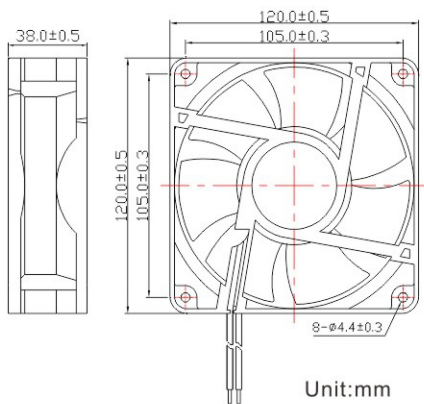
1238



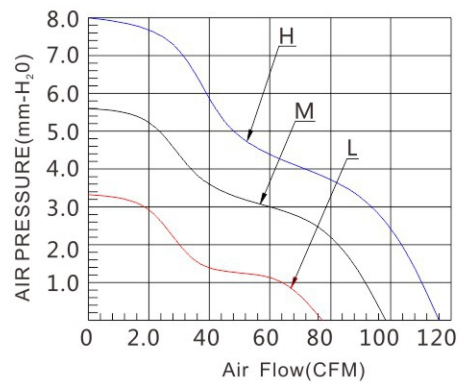
General Specifications (一般规格)

- ◆ Material:
Frame And Impeller: Thermal Plastic UL 94-0
- ◆ Lead Wires: UL Type
RED Wire Positive(+)
Black Wire Negative(-)
- ◆ Operation Temperature: -10°C ~ +70°C
35% ~ 85%RH
- ◆ Storage Temperature: -40°C ~ +70°C
35% ~ 85%RH

Dimensions Drawing(外观图)



Characteristic Curves (特性曲线)



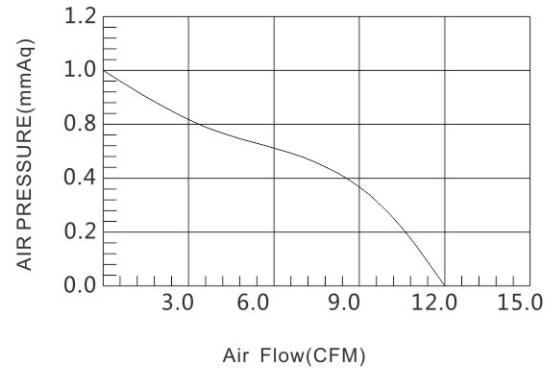
Specifications/规格

型号 Model	轴承类型 Bearing Type	电压 Rated Voltage	频率 Fre- quency	电流 Current	功率 Power	转速 Speed	噪音 Noise Level	风量 Air Flow		风压 Static Pressure	重量 Weight
		VAC	Hz	A	W	RPM	dBA	M ³ /min	CFM	mmH ₂ O	g
DEH1238S	Sleeve	110 ~ 240	50/60	0.09	6.0	3000	45.3	197.5	116.3	8.0	260
DEM1238S				0.07	5.5	2500	40.6	168.4	99.2	5.6	
DEL1238S				0.05	5.0	2000	34.1	131.4	77.4	3.3	
DEH1238B	Ball	110 ~ 240	50/60	0.09	6.0	3000	45.3	197.5	116.3	8.0	
DEM1238B				0.07	5.5	2500	40.6	168.4	99.2	5.6	
DEL1238B				0.05	5.0	2000	34.1	131.4	77.4	3.3	

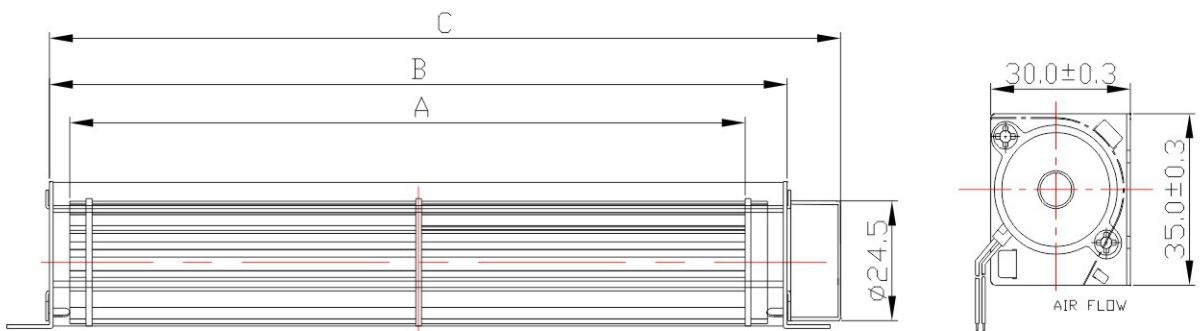
DC 25 series



■ Characteristic Curves (特性曲线)



■ Dimensions Drawing(外观图)



Unit:mm

■ Specifications/规格

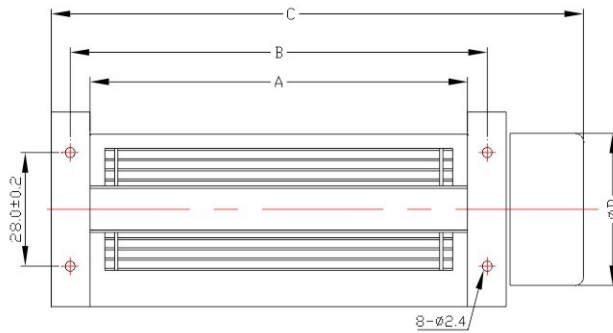
型号 Model	尺寸 Size(mm)			电压 Rated Voltage	电流 Current	转数 Speed	风压 Static Pressure	风量 Air Flow		噪音 Noise Level	重量 Weight
	A	B	C	VAC	A	RPM	mmH ₂ O	M ³ /min	CFM	dBA	g
DFH2515X-A	160	170	185	12	0.11	3400	1.0	0.35	12	39	100

Notes:1. The parameters listed above are for reference. 2. Individual specification will be according to approval sheet provided or customers requirement.

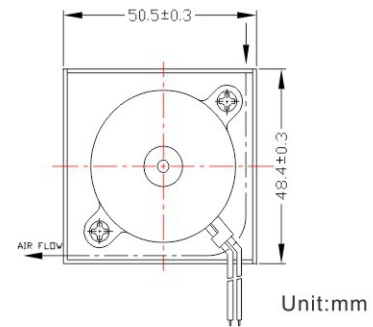
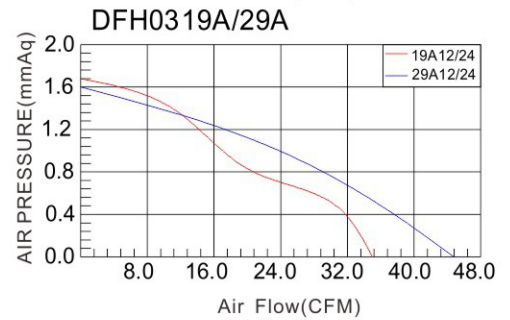
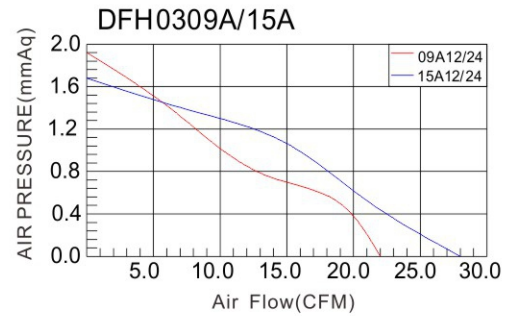
DC 30 series



■ Dimensions Drawing(外观图)



■ Characteristic Curves (特性曲线)



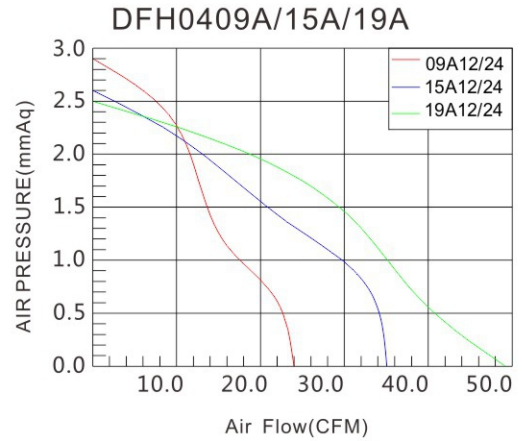
■ Specifications/规格

型号 Model	尺寸 Size(mm)				电压 Rated Voltage VAC	电流 Current A	转速 Speed RPM	风压 Static Pressure mmH ₂ O	风量 Air Flow		噪音 Noise Level dBA	重量 Weight g
	A	B	C	D					M ³ /min	CFM		
DFH0309X-A	98	108	134	37.5	12	0.15	3200	1.9	0.6	22	29	180
DFH0309X-A					24	0.18						
DFH0315X-A	160	170	196	37.5	12	0.16	3100	1.7	0.8	28	30	210
DFH0315X-A					24	0.15						
DFH0319X-A	198	208	234	37.5	12	0.20	2900	1.7	1.0	35	31	230
DFH0319X-A					24	0.16						
DFH0329X-A	300	310	338	37.5	12	0.22	2600	1.5	1.3	46	33	290
DFH0329X-A					24	0.20						

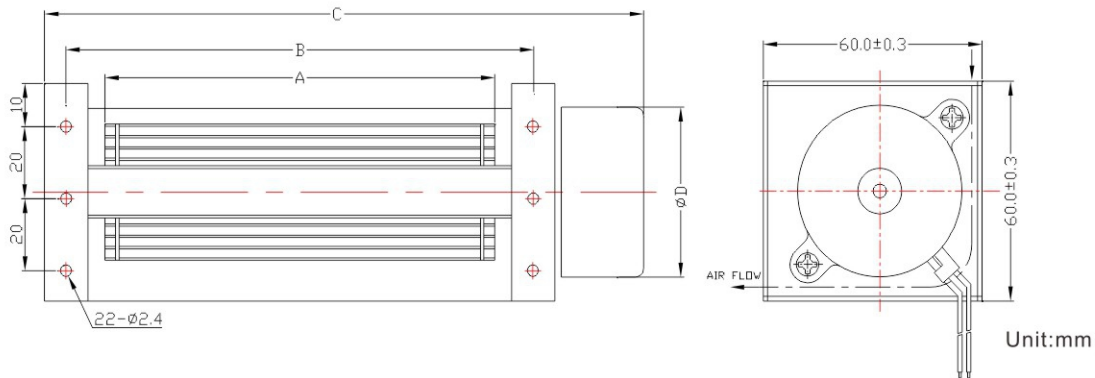
DC 40 series



Characteristic Curves (特性曲线)



Dimensions Drawing(外观图)



Specifications/规格

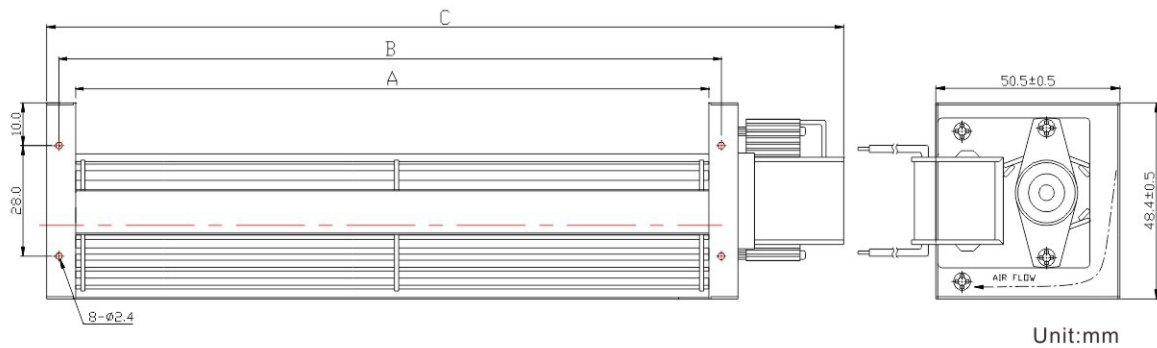
型号 Model	尺寸 Size(mm)				电压 Rated Voltage	电流 Current	转速 Speed	风压 Static Pressure	风量 Air Flow		噪音 Noise Level	重量 Weight
	A	B	C	D	VAC	A	RPM	mmH ₂ O	M ³ /min	CFM	dBA	g
DFH0409X-A	98	108	134	37.5	12	0.20	3000	2.9	0.7	24	23	220
DFH0409X-A					24	0.15						
DFH0415X-A	160	170	196	37.5	12	0.25	2600	2.6	1.0	35	31	260
DFH0415X-A					24	0.20						
DFH0419X-A	198	208	234	37.5	12	0.30	2500	2.5	1.4	49	33	310
DFH0419X-A					24	0.20						

Notes: 1. The parameters listed above are for reference. 2. Individual specification will be according to approval sheet provided or customers requirement.

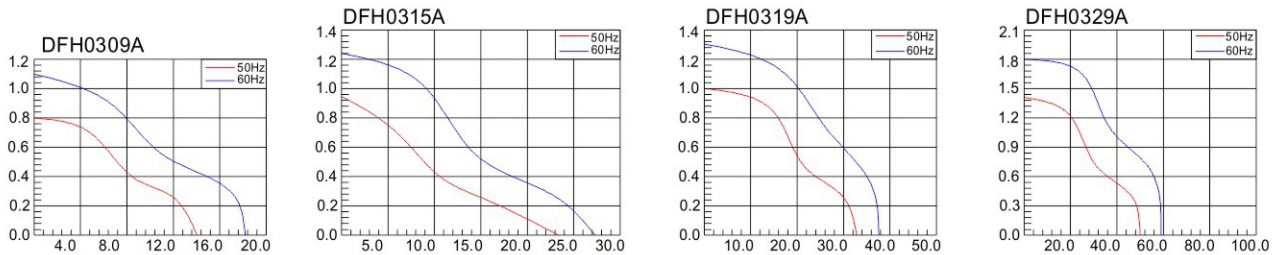
AC 30 series



■ Dimensions Drawing(外观图)



■ Characteristic Curves (特性曲线)



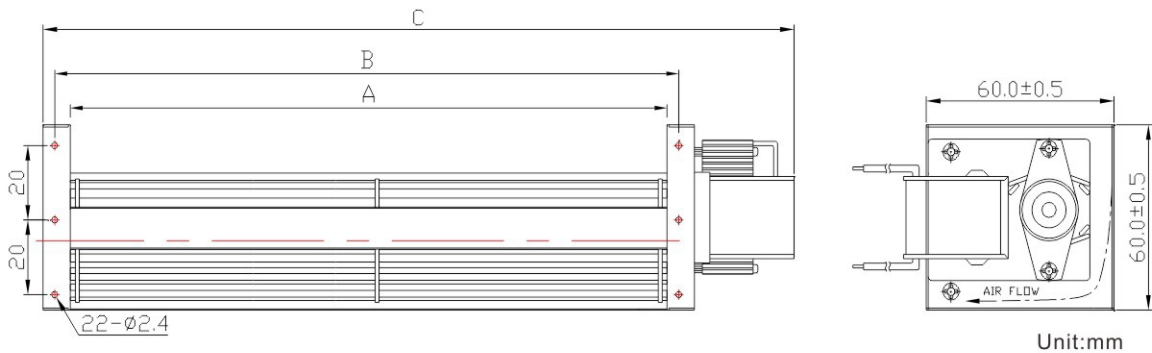
■ Specifications/规格

型号 Model	尺寸 Size(mm)			电压 Rated Voltage	频率 Fre- quency	电流 Current	功率 Power	转速 Speed	风压 Static Pressure	风量 Air Flow		噪音 Noise Level	重量 Weight
	A	B	C							VAC	Hz		
DFH0309X-A	98	108	160	120	50/60	0.11/0.19	8/7	3200/2900	0.8/1.1	0.4/0.5	14/17	21/24	390
DFH0309X-A				230		0.07/0.05	8/7	3200/2900	0.8/1.1	0.4/0.5	14/17	21/24	
DFH0315X-A	160	170	196	120		0.14/0.12	9/8	2700/3100	0.9/1.2	0.7/0.8	24/28	27/30	520
DFH0315X-A				230		0.09/0.07	10/9	2700/3100	0.9/1.2	0.7/0.8	24/28	27/30	
DFH0319X-A	198	208	260	120		0.14/0.12	9/8	2700/3100	1.0/1.3	0.9/1.0	32/35	27/30	540
DFH0319X-A				230		0.09/0.07	11/9	2700/3100	1.0/1.3	0.9/1.0	32/35	27/30	
DFH0329X-A	300	310	362	120		0.20/0.17	15/13	2700/3100	1.4/1.7	1.5/1.7	53/60	32/34	670
DFH0329X-A				230		0.09/0.07	12/11	2700/3100	1.4/1.7	1.5/1.7	53/60	32/34	

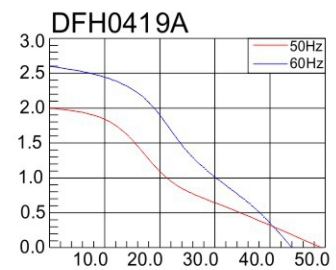
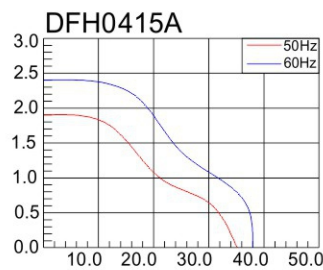
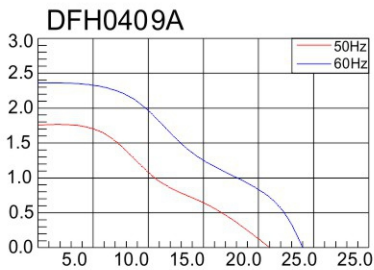
AC 40 series



■ Dimensions Drawing(外观图)



■ Characteristic Curves (特性曲线)



■ Specifications/规格

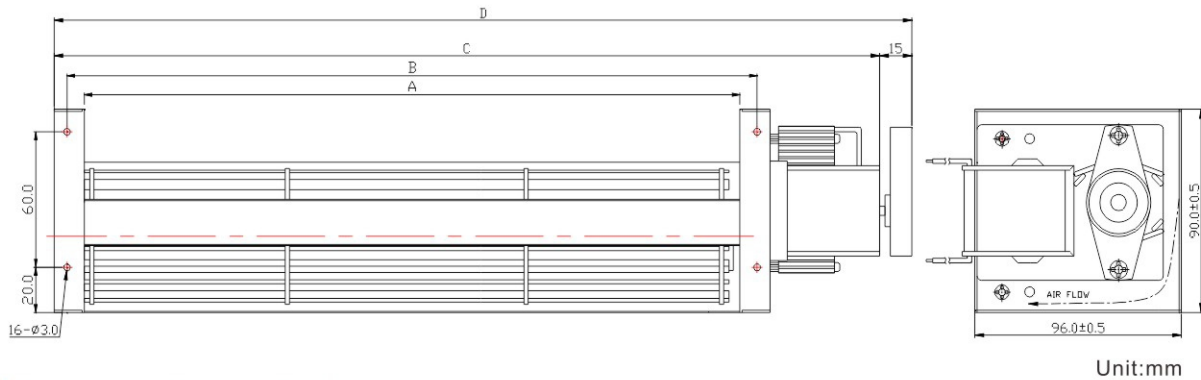
型号 Model	尺寸 Size(mm)			电压 Rated Voltage	频率 Fre- quency	电流 Current	功率 Power	转数 Speed	风压 Static Pressure	风量 Air Flow		噪音 Noise Level	重量 Weight
	A	B	C							VAC	Hz		
DFH0409X-A	98	108	160	120	50/60	0.14/0.12	10/9	2700/2300	1.7/1.3	0.6/0.7	21/24	29/33	520
DFH0409X-A				230		0.09/0.07	11/9	2700/2300	1.7/1.3	0.6/0.7	21/24	29/33	
DFH0415X-A	160	170	196	120		0.15/0.13	11/10	2600/2800	1.9/2.4	1.0/1.1	35/39	30/34	560
DFH0415X-A				230		0.09/0.07	11/9	2600/2800	1.9/2.4	1.0/1.1	35/39	30/34	
DFH0419X-A	198	208	260	120		0.15/0.13	10/9	2500/2400	2.0/2.6	1.4/1.3	46/49	31/33	600
DFH0419X-A				230		0.09/0.07	12/11	2500/2400	2.0/2.6	1.4/1.3	46/49	31/33	

Notes:1. The parameters listed above are for reference. 2. Individual specification will be according to approval sheet provided or customers requirement.

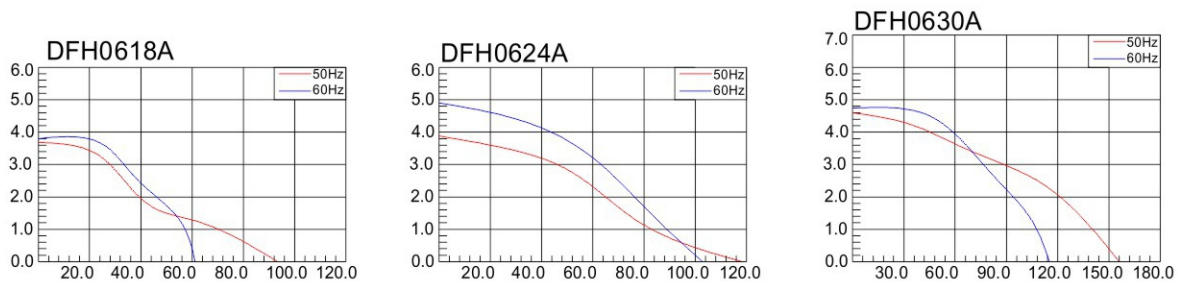
AC 60 series



■ Dimensions Drawing(外观图)



■ Characteristic Curves (特性曲线)



■ Specifications/规格

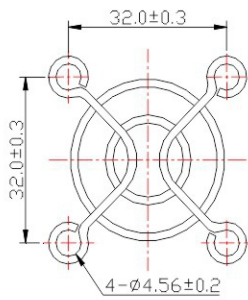
型号 Model	尺寸 Size(mm)				电压 Rated Voltage	频率 Fre- quency	电流 Current	功率 Power	转速 Speed	风压 Static Pressure	风量 Air Flow		噪音 Noise Level	重量 Weight
	A	B	C	D							VAC	Hz		
DFH0618X-A	184	199	262	277	120	50/60	0.33	23	1700	3.8	1.80	63	35	1200
DFH0618X-A					230		0.17	23	2000	3.7	2.50	88	39	
DFH0624X-A	245	260	323	338	120		0.42	31	1900	4.9	2.90	102	41	1400
DFH0624X-A					230		0.23	31	2000	3.9	3.30	118	42	
DFH0630X-A	306	321	384	396	120		0.63	42	1900	4.7	3.20	114	42	1500
DFH0630X-A					230		0.28	36	2200	4.6	4.40	154	44	

图片 Photos	尺寸 Size	型号 Model	轴承类型 Bearing Type	电压 Rated Voltage	电压范围 Operation Voltage	电流 Current	转速 Speed	风量 Air Flow	风压 Static Pressure	噪音 Noise Level	重量 Weight
	mm			VDC	VDC	A	RPM	CFM	mmH ₂ O	dBA	g
	φ 30X10	DFH3010/B	Ball	12	10.8 ~ 13.2	0.10	10000	*	*	29.0	10
	φ 40X10	DFH4010S/B	Sleeve/ Ball	5	4.5 ~ 5.5	0.16	5400	*	*	24.9	10
	φ 50X10	DFH5010S/B	Sleeve/ Ball	12	10.8 ~ 13.2	0.08	4500	*	*	26.1	15
	φ 60X10	DFH6010S	Sleeve	12	10.8 ~ 13.2	0.17	4200	*	*	31.7	21
	φ 80X30	DFH8030S	Sleeve	12	10.8 ~ 13.2	0.50	3200	*	*	49.7	25
	φ 90X25	DFH9025S	Sleeve	12	10.8 ~ 13.2	0.25	2100	*	*	30.00	75
	φ 90X25	DFH9025S	Sleeve	12	10.8 ~ 13.2	0.25	2500	*	*	32.00	70
	120X25	DFH1225S	Sleeve	12	10.8 ~ 13.2	0.40	2500	*	*	37.00	105
		DFM1225S				0.30	2100			31.00	
		DFL1225S				0.20	1700			25.20	
	φ 100X25	DFH1025B	Ball	12	10.8 ~ 13.2	0.80	4800	*	*	59.8	128
		DFM1025B				0.50	4000			49.8	
		DFL1025B				0.30	3200			39.9	
	φ 120X25	DFH12025B	Ball	12	10.8 ~ 13.2	0.65	2000	*	*	45.6	235

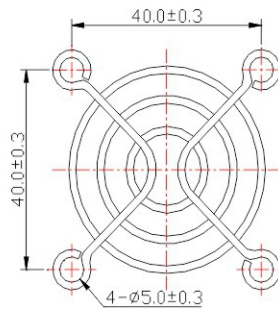
Please note that "*" means that the air flow and air pressure vary and can be tested by customized frame.

Notes: 1. The parameters listed above are for reference. 2. Individual specification will be according to approval sheet provided or customers requirement.

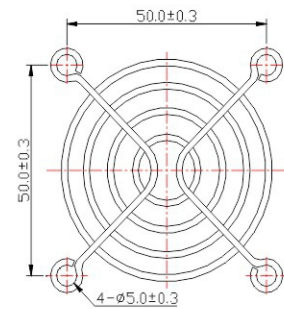
METAL FINGER GUARD



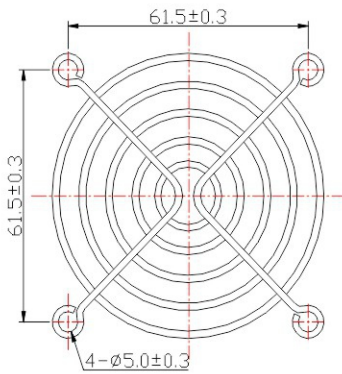
40 for 40mm fan



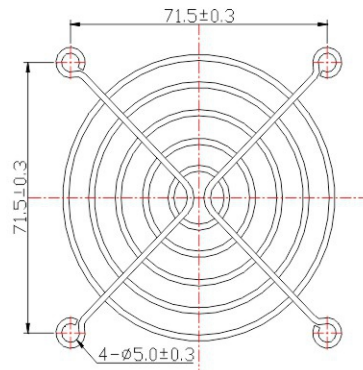
50 for 50mm fan



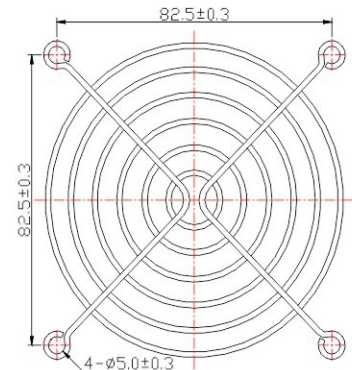
60 for 60mm fan



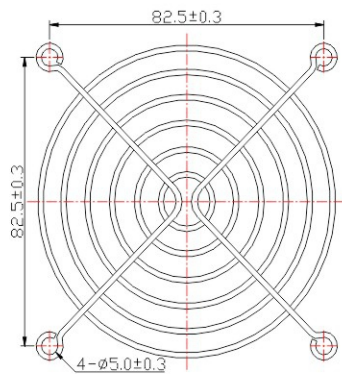
70 for 70mm fan



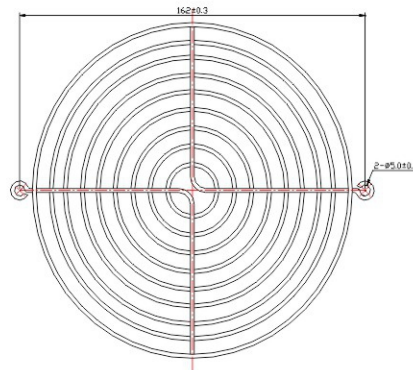
80 for 80mm fan



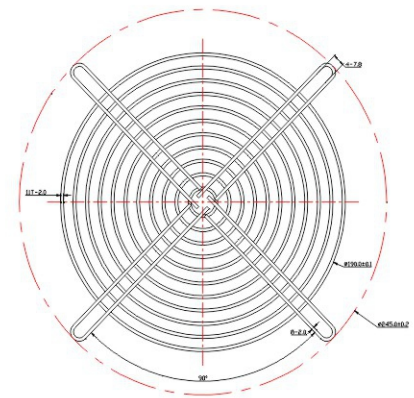
92 for 92mm fan



120 for 120mm fan



172 for 172mm fan



200 for 200mm fan



东莞市兴东电子有限公司

DONGGUAN XINGDONG ELECTRONICS CO.,LTD

广东省东莞市常平镇桥沥村利氏工业区

TEL : +86-0769-8366 0708 FAX : +86-0769-8366 0718

E-mail : info@d-fan.com.cn Web : www.d-fan.com.cn